



Multi-Pin High Frequency Contacts (MHC)

High Frequency Contacts



Sabritec's High Frequency Coax Contacts (MHC) offer exceptional RF performance up to 26.5 GHz for Size 8 and 40 GHz for Size 12 contacts in multi-pin connector applications. Engineered with a "float mount" design, these contacts ensure low VSWR at microwave frequencies by preventing air gaps at the mating interface. These contacts are designed to be terminated to .086 diameter flexible cables (RG-405 equivalent).

MHC Contact Features:

- Fits size 8 and 12 cavities for MIL-DTL-38999, ARINC 404 and ARINC 600
- Fits Size 8 cavity for MIL-DTL-24308 D-Sub
- Spring loaded for optimum contact mating force
- High frequency performance
- Low VSWR
 - Size 8: 1.15:1 Typ Mated Pair (DC to 26.5 GHz)
 - Size 12: 1.25:1 Typ Mated Pair (DC to 26.5 GHz)
 - 1.5:1 Typ Mated Pair (26.5 - 40 GHz)
- Insertion Loss:
 - 0.15 dB to 26.5 GHz Typ (Size 8)
 - 0.2 dB to 40 GHz Typ (Size 12)
- Socket contacts are spring loaded float mount for superior RF performance and reliability

Electrical Specifications (MIL-DTL-38999/ARINC 404/ARINC 600)	
Impedance	50 Ohms
Frequency Range	DC to 26.5 GHz (Size 8) DC to 40 GHz (Size 12)
VSWR	1.15:1 Typ (Size 8) to 26.5 GHz 1.25:1 Typ (Size 12) to 26.5 GHz 1.50:1 Typ (Size 12) to 40 GHz (mated pair)
DWV	500 VRMS @ Sea Level (Size 8) 325 VRMS @ Sea Level (Size 12)
Temperature Range	-65°C to + 165°C
Materials & Finishes	
Center & Outer Spring Contacts	Brass per ASTM-B16, alloy UNS C36000 or BeCu per ASTM-B196, alloy UNS C17200, C17300 Gold plate per MIL-DTL-45204, Type II, Class 1
Shell	Brass per ASTM-B16, alloy UNS C36000 Gold plate per MIL-DTL-45204, Type II, Class 1
Hood	305 CRES per ASTM-A240, passivated per ASTM-A967
Insulators	PTFE per ASTM D-170

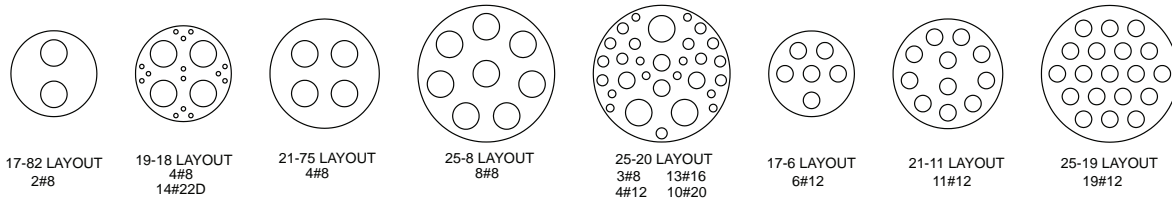
All specifications subject to change without notice.

MHC Sample Insert Arrangements

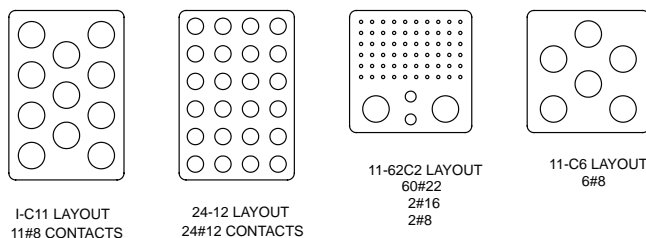
Consult Factory For:

- Custom or Special Insert Arrangements
- Connector Ordering Information
- PC Tail Versions of Contacts

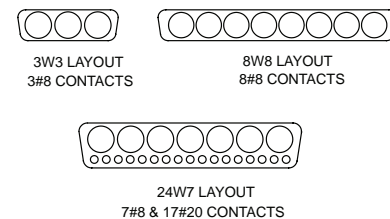
MIL-DTL-38999



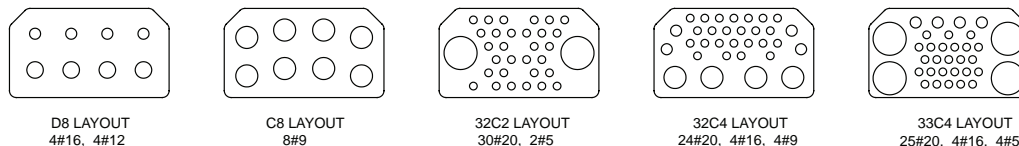
ARINC 600



MIL-DTL-24308



ARINC 404



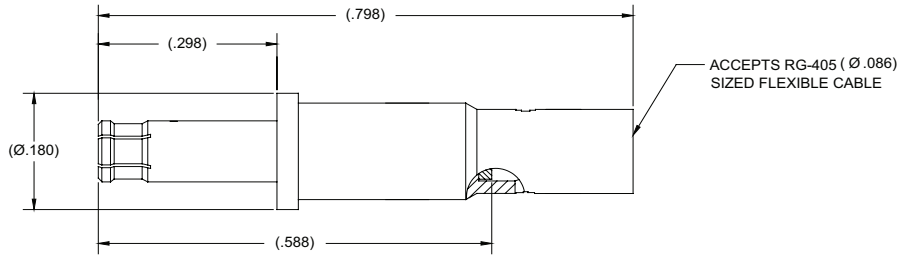
Sabritec provides specialty, enhanced performance connectors and cable assemblies and as such does not currently offer circular, rack and panel, or D-subminiature connectors that are listed on military standard Qualified Products Lists (QPL) per applicable detail specification sheets. Sabritec's connectors are fully interchangeable with applicable QPL products and meet the applicable requirements of all military standards listed in this catalog.



MHC Coax Pin Contacts

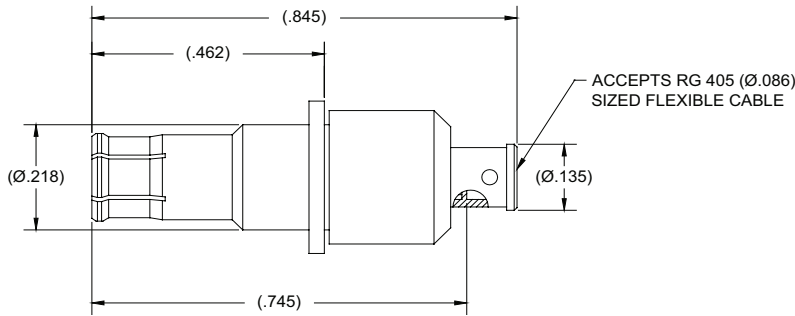
MIL-DTL-38999/ARINC 404/ARINC 600/MIL-DTL-24308

Size 12 Pin Contact for MIL-DTL-38999



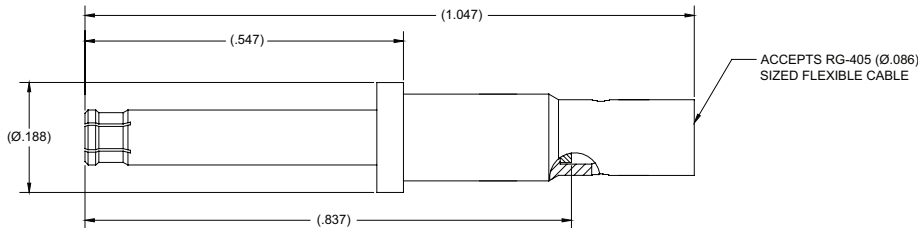
Part #	Cable Size
018624-8002	.086 Flex

Size 8 Pin for MIL-DTL-38999



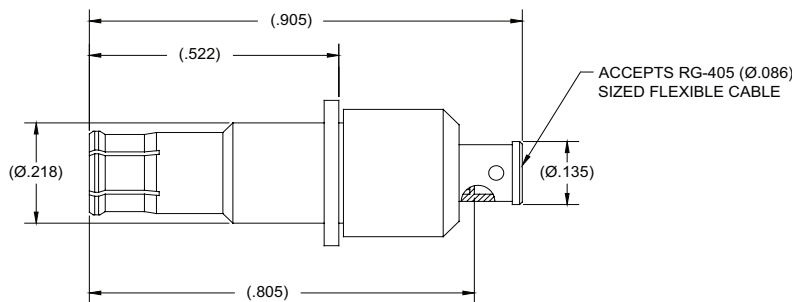
Part #	Cable Size
019624-2011	.086 Flex
019624-2012	.141 Flex

Size 12 Pin Contact for ARINC 404 and ARINC 600



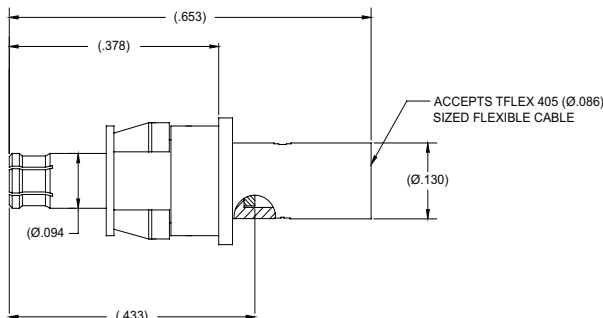
Part #	Cable Size
018624-8004	.086 Flex

Size 8 Pin Contact for ARINC 404 and ARINC 600



Part #	Cable Size
019624-2014	.086 Flex

Size 8 Pin for MIL-DTL-24308



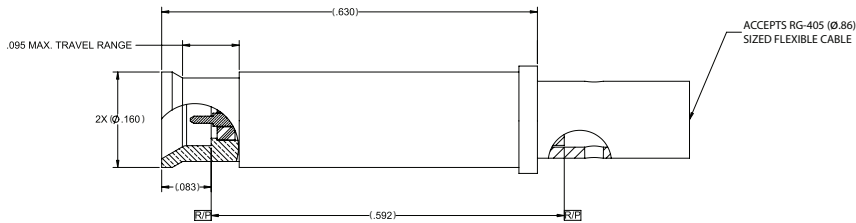
Part #	Cable Size
019829-2000	.086 Flex



MHC Coax Socket Contacts

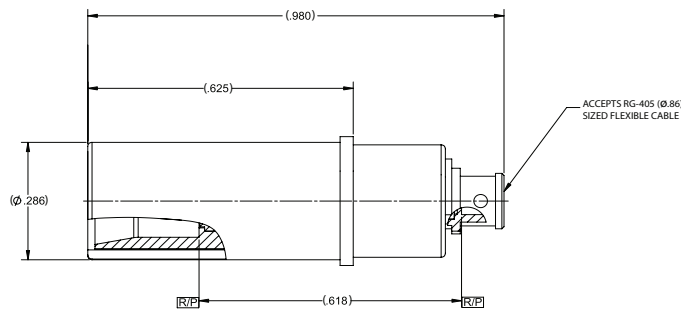
MIL-DTL-38999/ARINC 404/ARINC 600/MIL-DTL-243080

Size 12 Socket Contact for MIL-DTL-38999



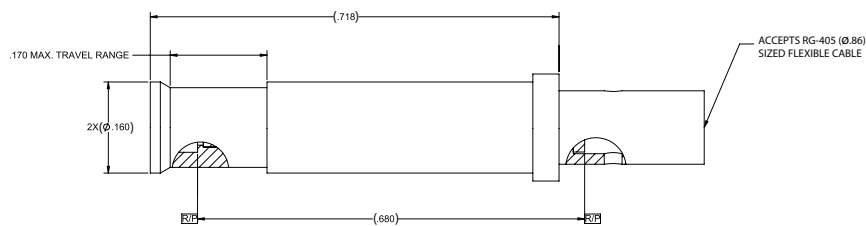
Part #	Cable Size
018724-8002	.086 Flex

Size 8 Socket for MIL-DTL-38999



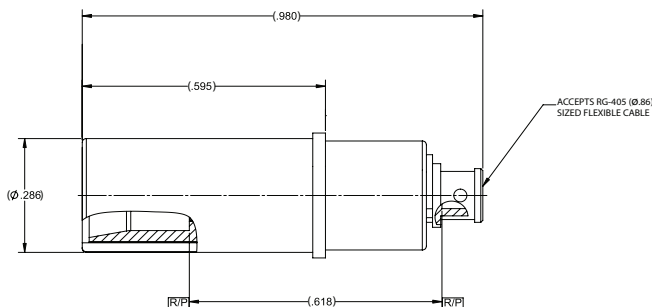
Part #	Cable Size
019524-2011	.086 Flex
019524-2012	.141 Flex

Size 12 Socket Contact for ARINC 404 and ARINC 600



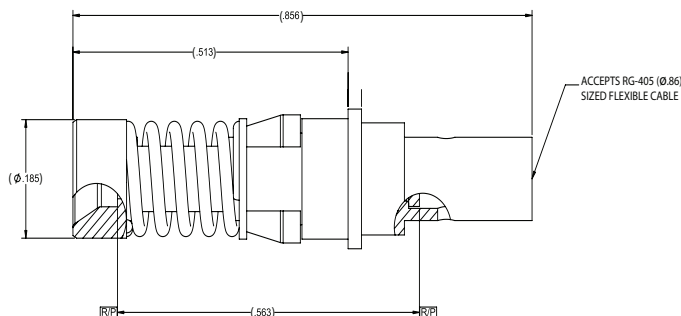
Part #	Cable Size
018724-8004	.086 Flex

Size 8 Socket Contact for ARINC 404 and ARINC 600



Part #	Cable Size
019524-2014	.086 Flex

Size 8 Socket for MIL-DTL-24308



Part #	Cable Size
019729-2000	.086 Flex