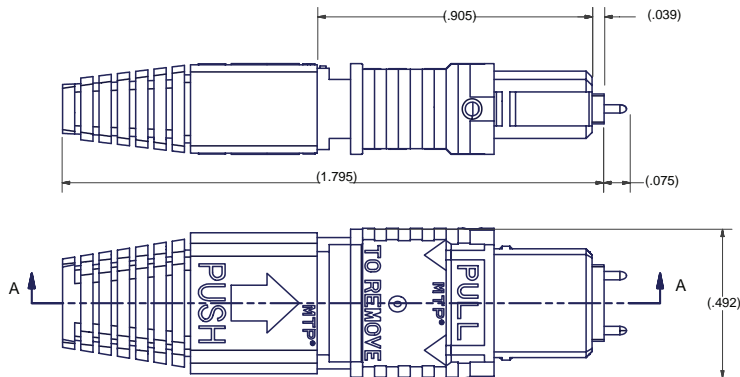




Fiber Optic Connectors

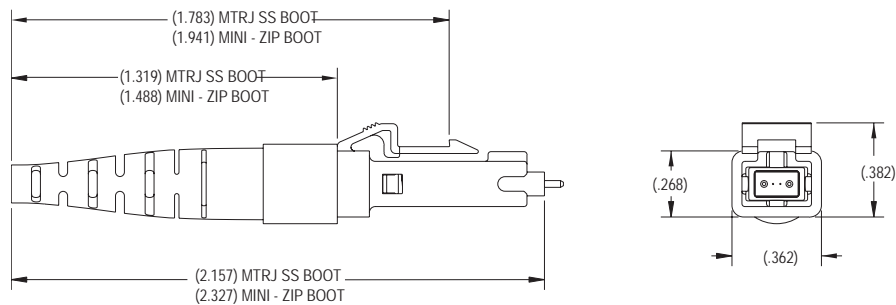
MTP & MT-RJ Connectors

MTP Connector



Plug P/N: 239033-2002 (Shown)
Receptacle P/N: 239033-3000
Adapter P/N: 239033-4002

MT-RJ Connector



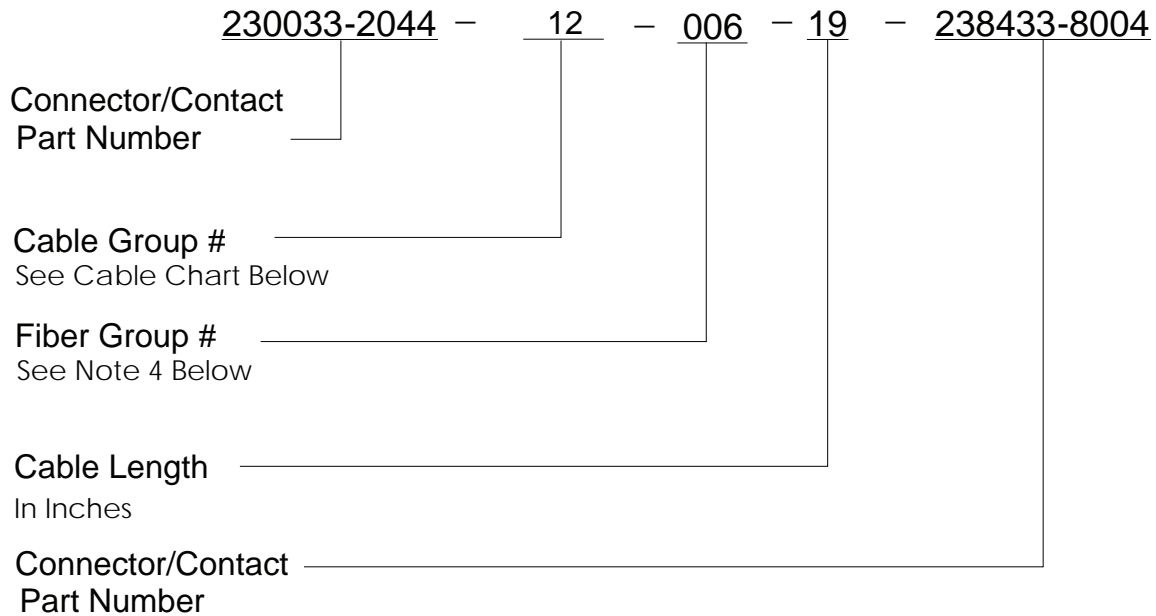
Plug P/N: 239033-2003 (Shown)
Receptacle P/N: 239033-3001
Adapter P/N: 239033-4003



Fiber Optic Size 16 Insert Arrangements

MIL-DTL-38999 Connectors for Butt-Joint Contacts

Part Description Code



Note: Connectors with high tolerance insert arrangements are available with alignment pins. Please consult factory for more information.

Fiber Optic Cables

Cable Group No.	Part Number	Jacket OD	Buffer OD	Jacket Material	Strength Member Material	Buffer Material	Temp Range	Fiber count
12	540-1209-00X ⁴	1.2		ETFE	Kevlar	Expanded PTFE	-55°C to +150°C	1
13	540-1210-00X ^{1, 2 & 4}	2	900	FEP	Teflon coated fiber glass	FEP	-65°C to +200°C	1
14	540-1211-00X ⁴	2	900	LSZH ³	Kevlar	LSZH ³		1
15	540-1212-00X ⁴	2.1	900	ETFE or FEP	Teflon coated fiber glass	ETFE or FEP	-55°C to +125°C	1
16	540-1213-00X ⁴	2.5	1200	ETFE	Teflon coated fiber glass	ETFE	-55°C to +150°C	1
17	540-1123-000	2.8	900	ETFE or equiv.	Kevlar	Optional	-40°C to +75°C	1
18	540-1188-000	2.8	900	LSZH ³	Kevlar	LSZH ³	-40°C to +75°C	1
19	540-1215-00X ⁴	2.3X2.6 (2 fibers) 2.3X4.6 (12 fibers)	250	FEP	Kevlar	Expanded PTFE	-55°C to +150°C	2, 4, 8, 12
20	540-1215-00X ⁴	2.3X2.6 (2 fibers) 2.3X4.6 (12 fibers)	250	PVC, flame retardant	Kevlar	Expanded PTFE	-30°C to +85°C	2, 4, 8, 12

Sabritec termini & connectors can be used with other commercially available cables, consult factory.

* Please consult factory on cable ordering options for Cable Groups 19 and 20.

Notes:

1. This cable is designed for high temperature aircraft and spacecraft applications
2. This cable requires a polyimide coating on the fiber and special connector accommodations
3. LSZH – Low Smoke, Zero Halogen
4. OOX to designate fiber type as follows:
 - 000 designates Corning SMF-28 or equivalent SM fiber
 - 006 designates MIL-PRF-49291/6 fiber, 62.5/126, Graded Index, rad hard, 0.275NA 100KPSI fiber
 - 009 designates OFS 100/140, Graded Index, 0.275NA, 200 KPSI fiber