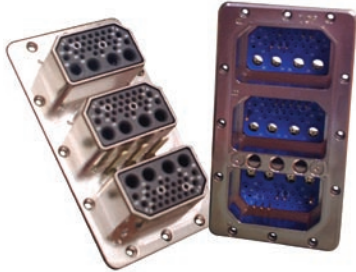




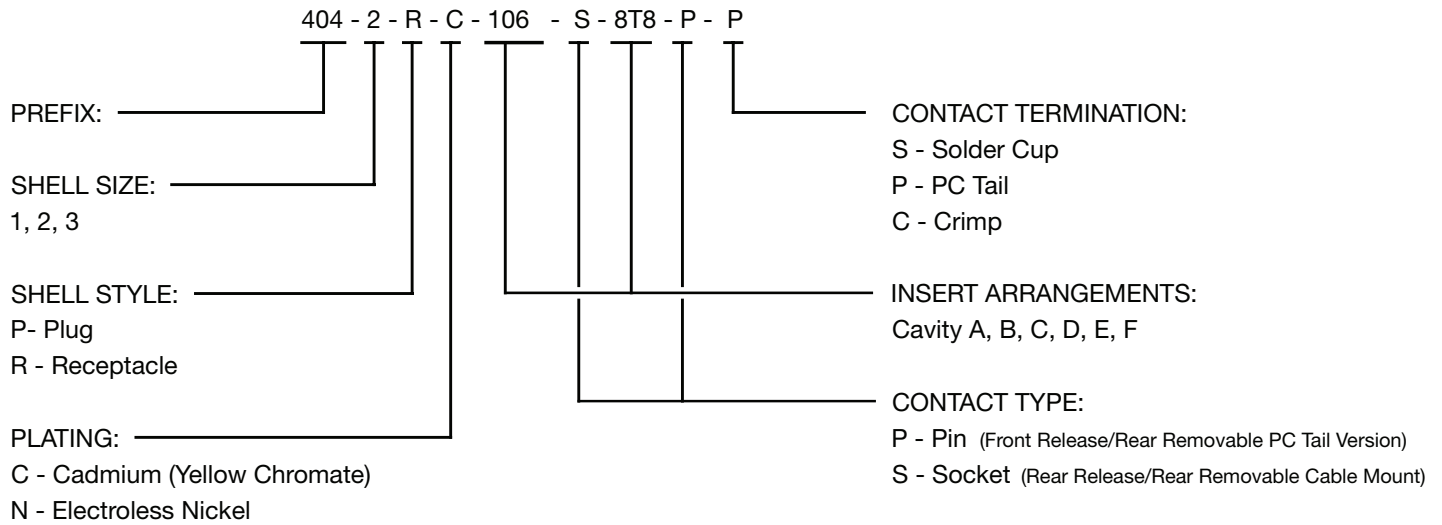
ARINC 404 Series Connectors

MIL-C-81659 Anti-Rotational Twinax Insert Arrangements

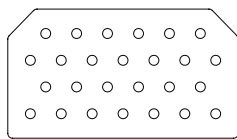


Sabritec's ARINC 404 connector series is available with high speed Fibre Channel and/or Ethernet Twinax and Quadrax contacts. These connectors come standard with anti-rotational keyed insert assemblies and high speed differential pair signaling. Designed for 1394 Firewire, Gigabit Ethernet, 100 Base-T Ethernet, high speed video Hot-Link, and Fibre Channel data links. Quadrax high speed Ethernet and matched impedance 150 Ohm differential pair insert assemblies are also available.

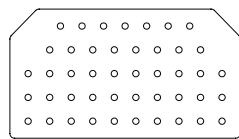
ARINC 404 Part Number Description Code



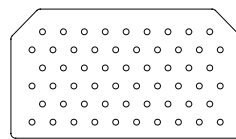
ARINC 404 Insert Arrangements



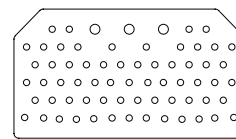
26 #16 CONTACTS
Insert Arrangement: 26



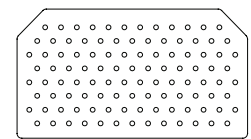
45 #20 CONTACTS
Insert Arrangement: 45



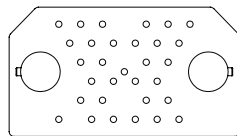
57 #20 CONTACTS
Insert Arrangement: 57



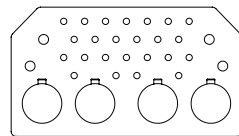
64 #20, 3 #16 CONTACTS
Insert Arrangement: 67



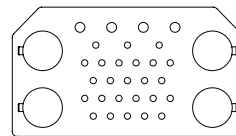
106 #22 CONTACTS
Insert Arrangement: 106



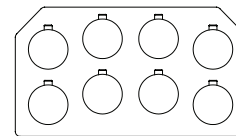
30 #20
2 #5 TWINAX/QUADRAX
Insert Arrangement: 32T2



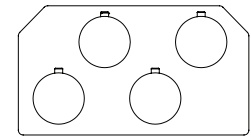
24 #20, 4 #16,
4 #5 TWINAX/QUADRAX
Insert Arrangement: 32T4



25 #20, 4 #16,
4 #5 TWINAX/QUADRAX
Insert Arrangement: 33T4



8 #5 TWINAX/QUADRAX
Insert Arrangement: 8T8



4 #1 QUAD CONTACT
Insert Arrangement: 4Q1
(For ARINC Size 1 Quadrax contact only)

Notes:

Size 5 Twinax and Quadrax Contact Cavities are anti-rotational
Size 1 Quadrax Contact Cavities are anti-rotational

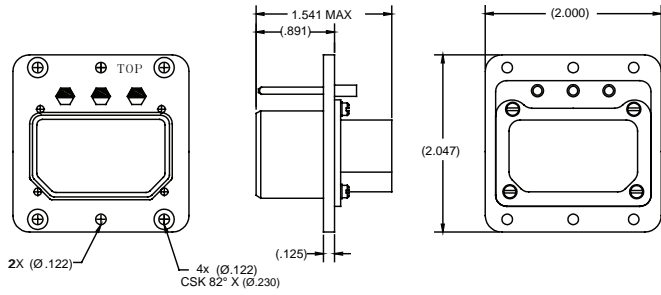
Sabritec provides specialty, enhanced performance connectors and cable assemblies and as such does not currently offer circular, rack and panel, or D-subminiature connectors that are listed on military standard Qualified Products Lists (QPL) per applicable detail specification sheets. Sabritec's connectors are fully interchangeable with applicable QPL products and meet the applicable requirements of all military standards listed in this catalog.



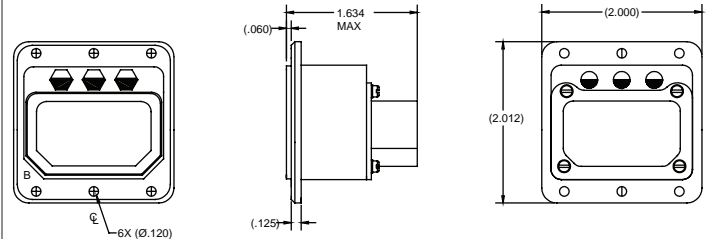
ARINC 404 Series Connectors

MIL-C-81659 Shell Size 1-4

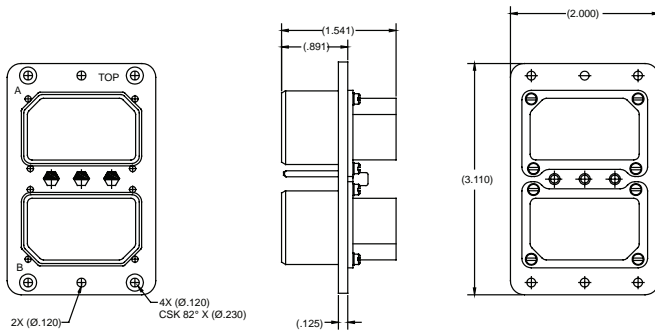
Shell Size 1 Plug



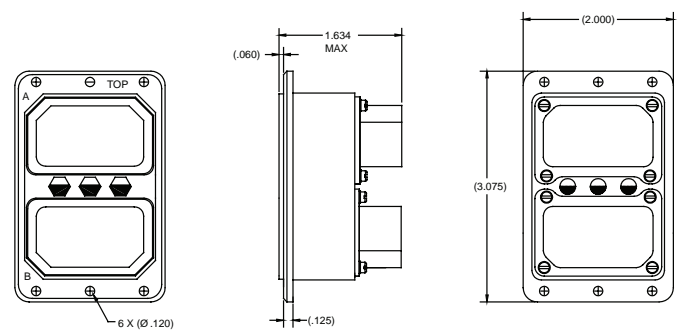
Shell Size 1 Receptacle



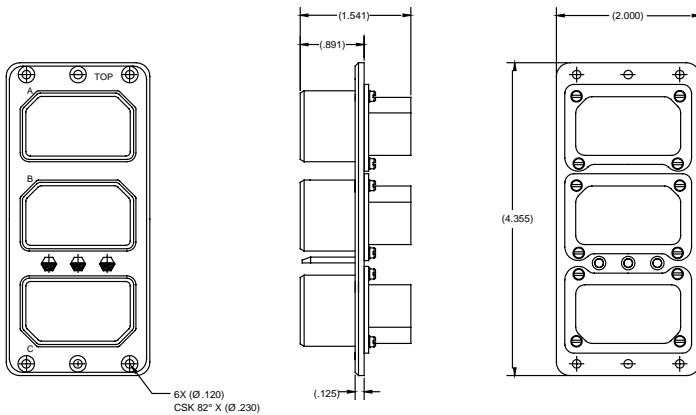
Shell Size 2 Plug



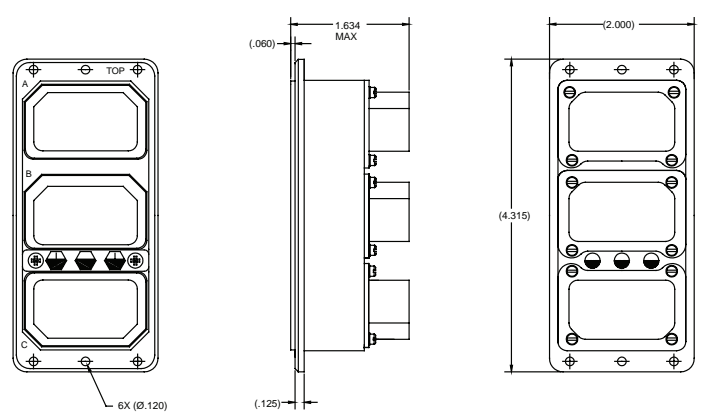
Shell Size 2 Receptacle



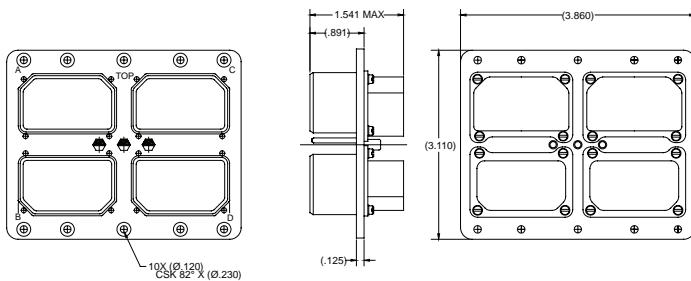
Shell Size 3 Plug



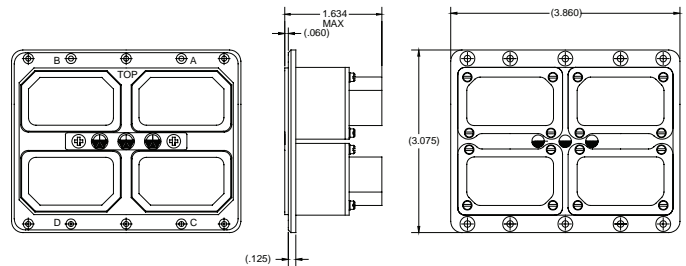
Shell Size 3 Receptacle



Shell Size 4 Plug



Shell Size 4 Receptacle

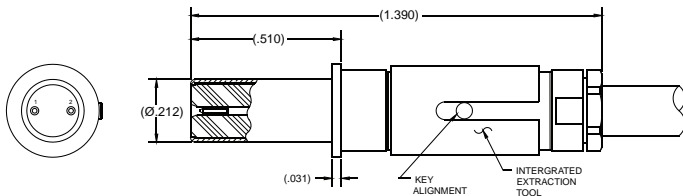




ARINC 404 Series Contacts

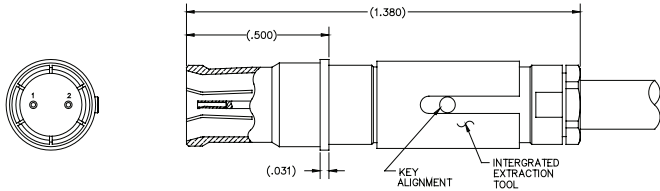
Twinax and Quadrax Contacts

ARINC 404 Size 5 Twinax Pin Contact 100 and 150 Ohm



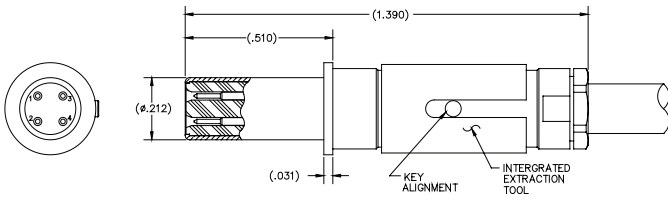
Part Number	Ohms	Cable Type	Cable
019434-8000	150	Differential Twinax	540-1099-000
019434-8001	150	Differential Twinax	540-1114-000
019434-8003	100	Flexible Twinax	540-1086-000
019434-8004	100	Differential Twinax	540-1153-000
019434-8005	100	Flexible Twinax	540-1161-000

ARINC 404 Size 5 Twinax Socket Contact 100 and 150 Ohm



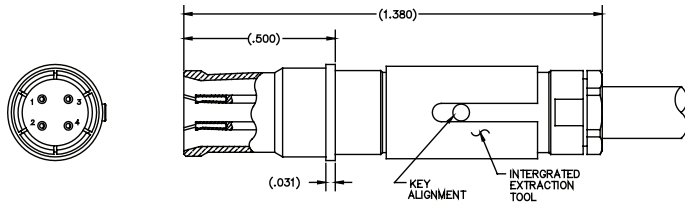
Part Number	Ohms	Cable Type	Cable
019334-8000	150	Differential Twinax	540-1099-000
019334-8001	150	Differential Twinax	540-1114-000
019334-8003	100	Flexible Twinax	540-1086-000
019334-8004	100	Differential Twinax	540-1153-000
019334-8005	100	Flexible Twinax	540-1161-000

ARINC 404 Size 5 Quadrax Pin Contact 100 Ohm



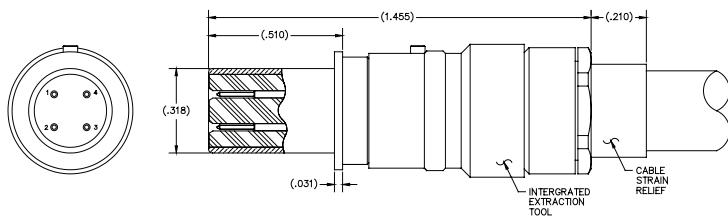
Part Number	Cable Type	Cable
019435-8002	Differential Quad	540-1183-000

ARINC 404 Size 5 Quadrax Socket Contact 100 Ohm



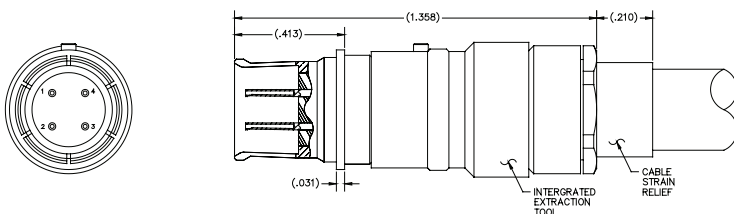
Part Number	Cable Type	Cable
019335-8001	Differential Quad	540-1183-000

ARINC 404 Size 1 Quadrax Pin Contact 150 Ohm



Part Number	Cable Type	Cable
012735-0000	Differential Quad	540-1138-000

ARINC 404 Size 1 Quadrax Socket Contact 150 Ohm



Part Number	Cable Type	Cable
012835-0000	Differential Quad	540-1138-000