



ARINC 600 Connectors

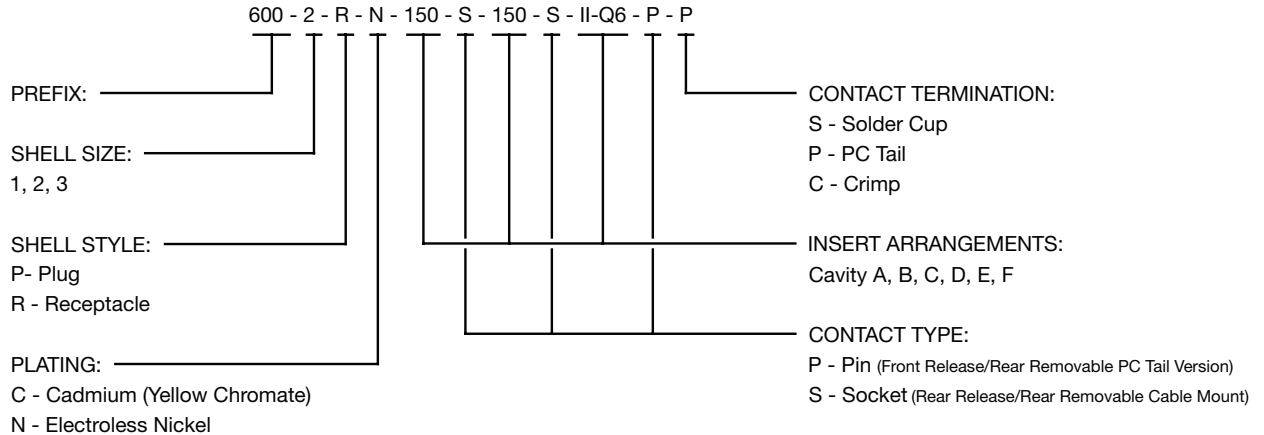
Part Number Description Code and Insert Arrangements



Sabritec's ARINC 600 connector series are designed for interconnect systems including 100 Base-T, Ethernet, and high speed video Hot-Link. These connectors can be fitted with Ethernet based Quad 100 Ohm contacts or differential pair 100 Ohm or 150 Ohm matched impedance contacts.

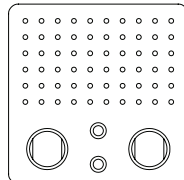
The ARINC 600 Series can also be routed with ruggedized expanded beam fiber optic contacts or concentric triaxial contacts designed for numerous low-loss twinaxial and concentric triax cables in a variety of impedance values.

ARINC 600 Part Number Description Code

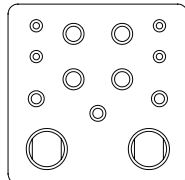


ARINC 600 Insert Arrangements

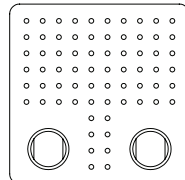
ARINC 600 Front Release/Front Removable Insert Layouts



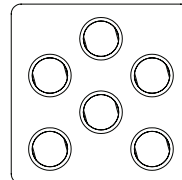
II - 62Q2
60 SIZE 22
2 SIZE 16
2 SIZE 8



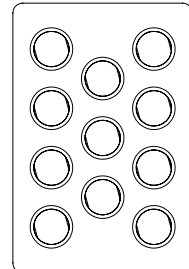
II - 11Q2
4 SIZE 20
3 SIZE 16
4 SIZE 12
2 SIZE 8



II - 68Q2
68 SIZE 22
2 SIZE 8

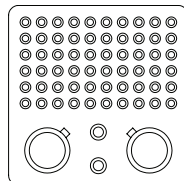


II - Q6
6 SIZE 8
METALLIC INSERT

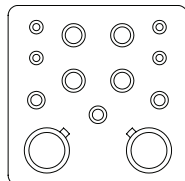


I - Q11
11 SIZE 8
METALLIC INSERT

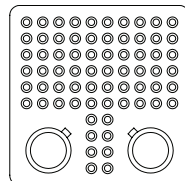
ARINC 600 Rear Release/Rear Removable Insert Layouts



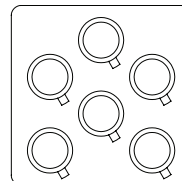
II - 62Q2
60 SIZE 22
2 SIZE 16
2 SIZE 8



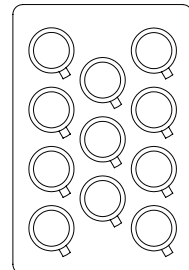
II - 11Q2
4 SIZE 20
3 SIZE 16
4 SIZE 12
2 SIZE 8



II - 68Q2
68 SIZE 22
2 SIZE 8



II - Q6
6 SIZE 8
METALLIC INSERT



I - Q11
11 SIZE 8
METALLIC INSERT

Note: Removable Size 8 Twinax and Quadrax Contacts use removal tool M81969/14-06

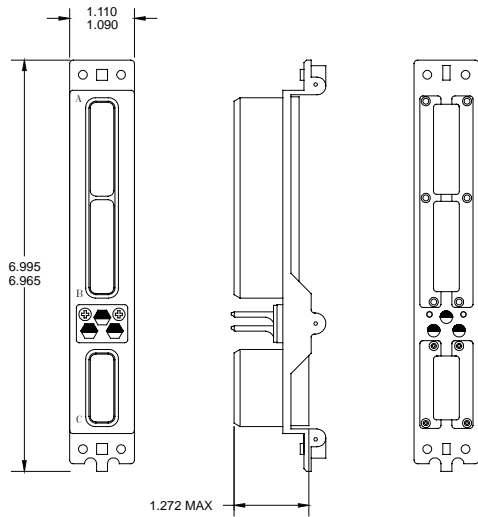
Sabritec provides specialty, enhanced performance connectors and cable assemblies and as such does not currently offer circular, rack and panel, or D-subminiature connectors that are listed on military standard Qualified Products Lists (QPL) per applicable detail specification sheets. Sabritec's connectors are fully interchangeable with applicable QPL products and meet the applicable requirements of all military standards listed in this catalog.



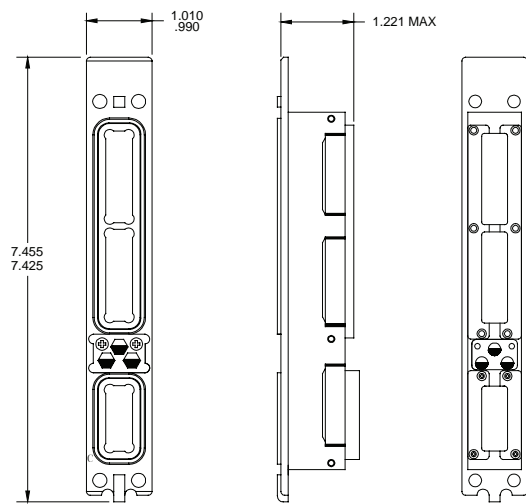
ARINC 600 Shell Housing

Shell Sizes 1 - 3

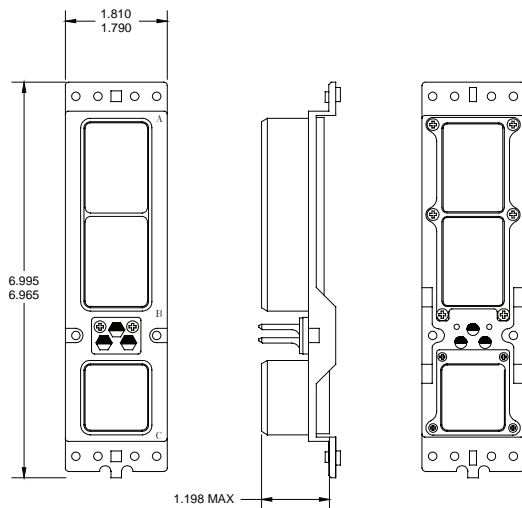
ARINC 600 Shell Size 1 Plug



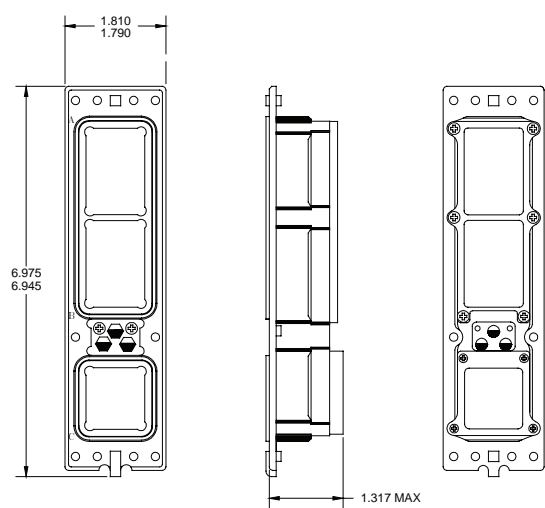
ARINC 600 Shell Size 1 Receptacle



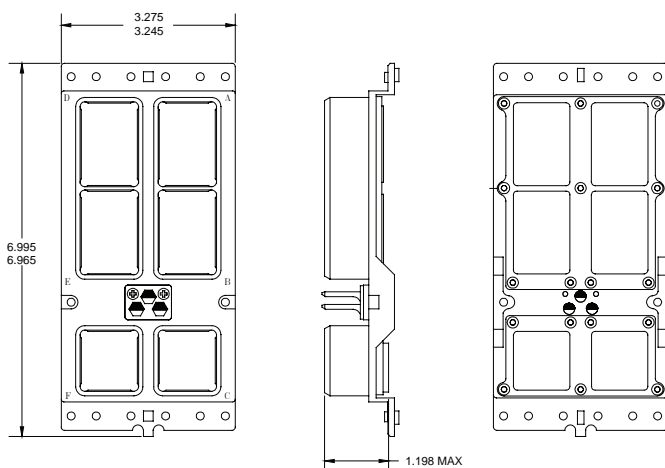
ARINC 600 Shell Size 2 Plug



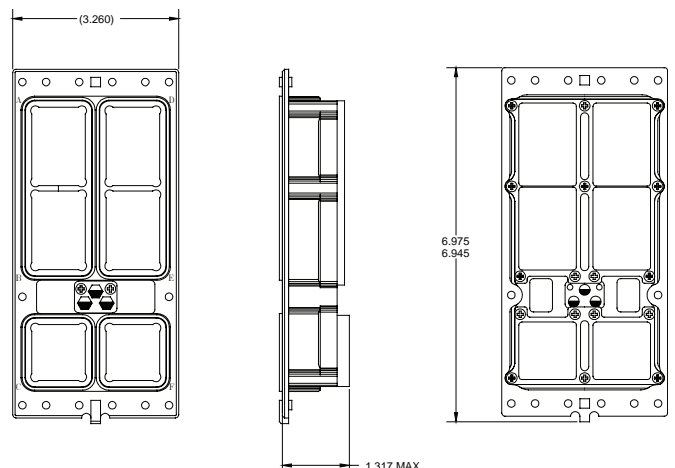
ARINC 600 Shell Size 2 Receptacle



ARINC 600 Shell Size 3 Plug



ARINC 600 Shell Size 3 Receptacle

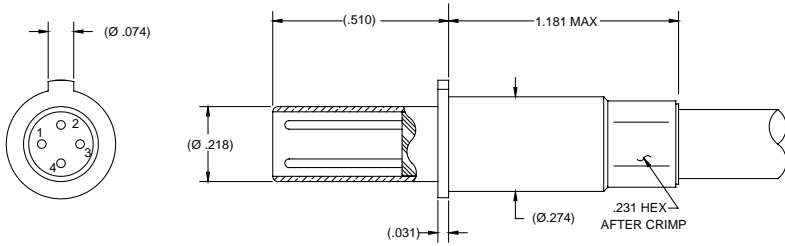




ARINC 600 Quadrax and Twinax Contacts

Size 8 Quadrax and Twinax 100 Ohm Contacts for ARINC 600

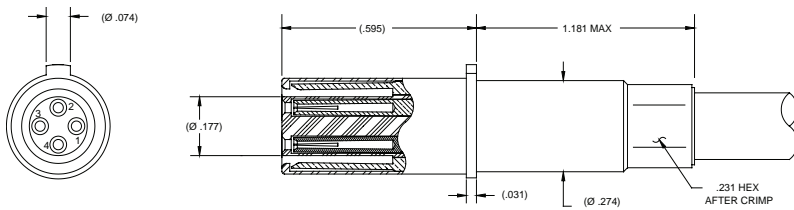
Size 8 Pin Quadrax Contact 100 Ohm



Part Number	Cable Type	Cable
019635-2031	Differential Quad	540-1183-000

Rear Release/Rear Removable

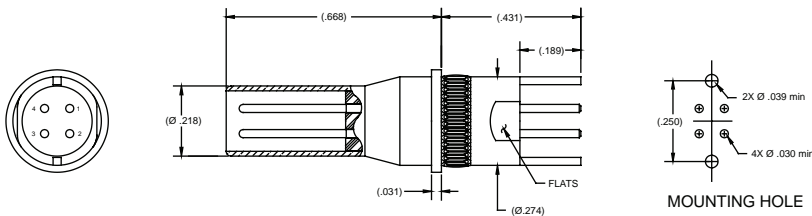
Size 8 Socket Quadrax Contact 100 Ohm



Part Number	Cable Type	Cable
019535-2031	Differential Quad	540-1183-000

Rear Release/Rear Removable

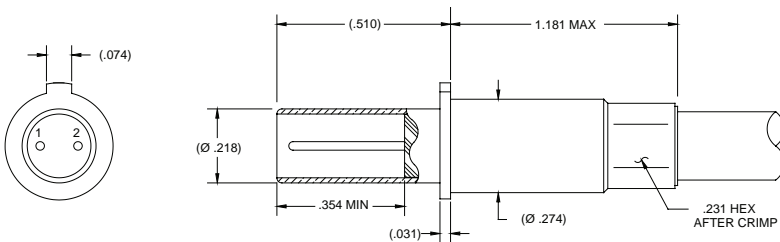
Size 8 Pin Quadrax Contact PCB Mount 100 Ohm



P/N 019617-2107

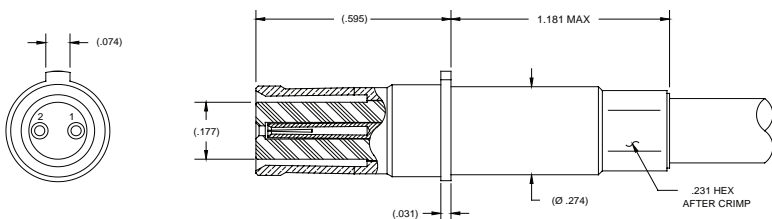
Front Release/Rear Removable

Size 8 Twinax Pin Contact 100 Ohm



Part Number	Cable Type	Cable
019634-8025	Differential Twinax	540-1167-000
019634-8026	Flexible Twinax	540-1161-000
019634-8027	Differential Twinax	540-1086-000

Size 8 Twinax Socket Contact 100 Ohm



Part Number	Cable Type	Cable
019534-8025	Differential Twinax	540-1167-000
019534-8026	Flexible Twinax	540-1161-000
019534-8027	Differential Twinax	540-1086-000