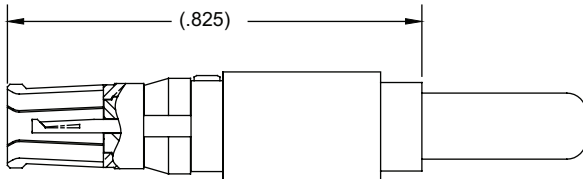


Sabritec's Micro-D Twinax Connectors (MDTX) offer twinax blindmate assemblies fitted into a low-profile metalized Micro-D style shell. This series allows for modularity of PCB routing of high speed signaling capable of 100 Ohm differential pair matched impedance for IEEE 1394b firewire and gigabit Ethernet applications in a size 10 twinax contact. These connectors allow for maximum space utilization, ultra miniature size, high vibration capability and are extremely light weight and modular with true signal integrity. Insert arrangements are available in 2, 4, 6 and 8 way twinax assemblies with mixed signal and power contacts available in hybrid layouts. These connectors are available with locking post mechanisms or blind mate features.

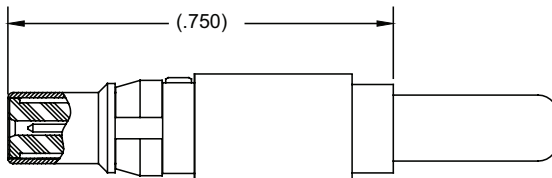
Please consult factory for unique hybrid layouts and custom shell configurations.

## Size 10 Twinax Socket Contact 100 Ohm for MDTX Cable Mount Plug



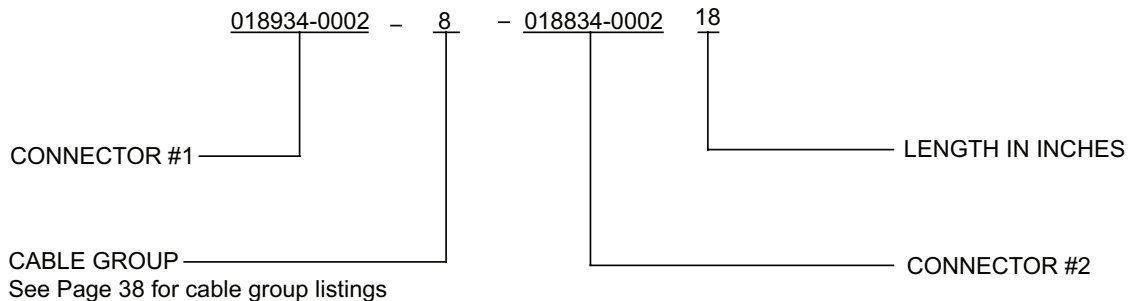
Part Number	Cable Type	Cable
018934-0002	Differential Twinax	540-1153-000
018934-0003	Flexible Twinax	540-1161-000
018934-0004	Differential Twinax	540-1167-000

## Size 10 Twinax Pin Contact 100 Ohm for MDTX Cable Mount Receptacle

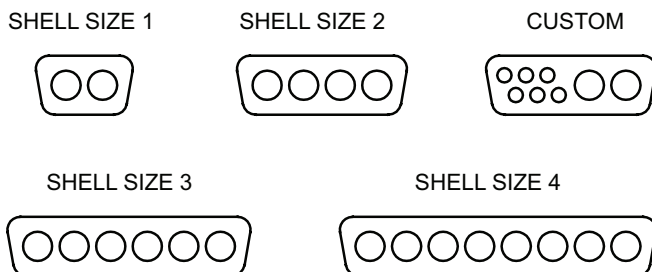


Part Number	Cable Type	Cable
018834-0002	Differential Twinax	540-1153-000
018834-0003	Flexible Twinax	540-1161-000
018834-0004	Differential Twinax	540-1167-000

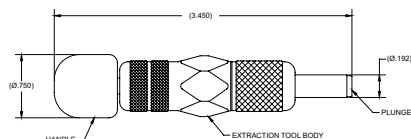
## Cable Assembly Ordering Information



## Insert Arrangements



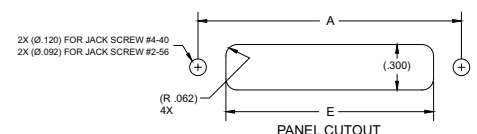
\* Removable Twinax Contacts  
Require Removal Tool SIR-035  
(ordered separately)



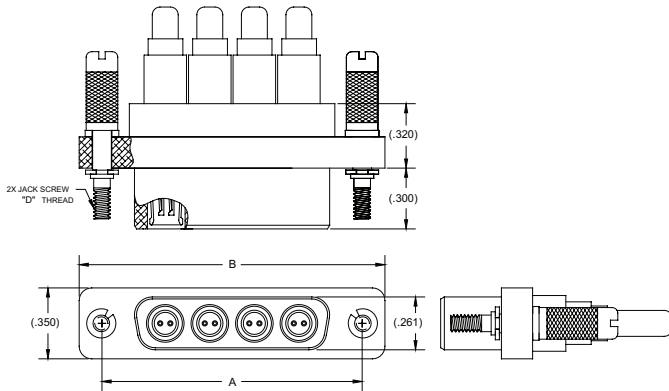
Removal Tool SIR-035

## Shell Dimensions

Shell Size	Contacts	A	B	C	D	E
1	2	.845	1.070	.600	#2-56	.572
2	4	1.285	1.510	1.040	#2-56	1.012
3	6	1.765	2.040	1.480	#4-40	1.452
4	8	2.205	2.480	1.920	#4-40	1.892



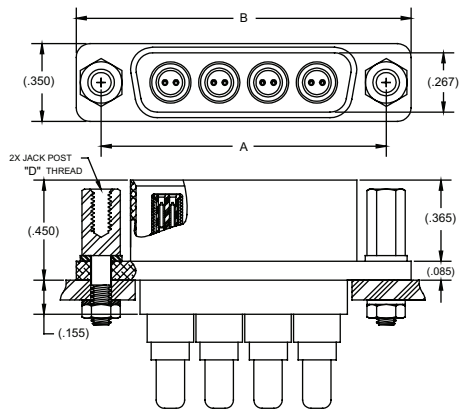
## MDTX Cable Mount Plug



Part Number	Contacts
014034-0012	2
014034-0014	4
014034-0016	6
014034-0018	8

\*Cable Mount Twinax Contacts Sold Separately

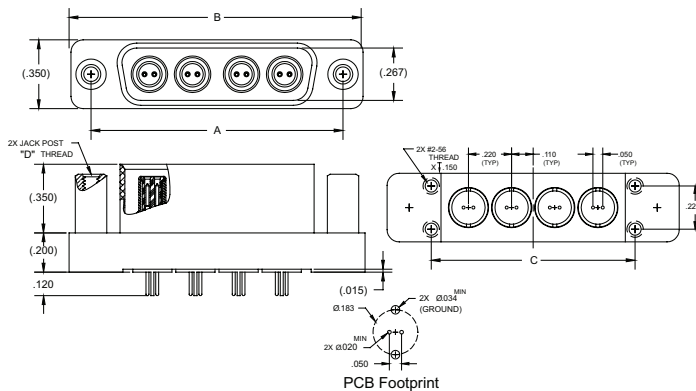
## MDTX Cable Mount Receptacle



Part Number	Contacts
014134-0012	2
014134-0014	4
014134-0016	6
014134-0018	8

\*Cable Mount Twinax Contacts Sold Separately

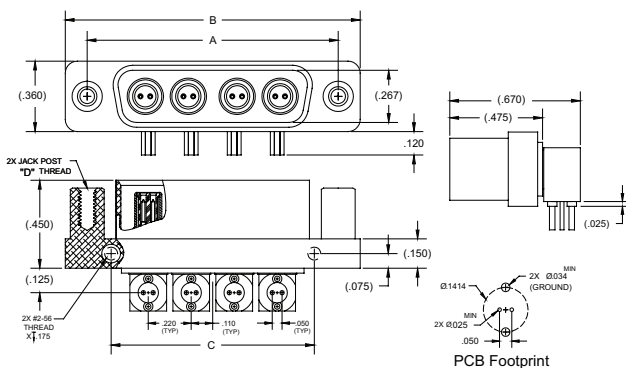
## MDTX Receptacle With Straight PC Tail Twinax Pin Contact



Part Number	Contacts
014117-0012	2
014117-0014	4
014117-0016	6
014117-0018	8

\*PC Tail Twinax Contacts included

## MDTX Receptacle With R/A PC Tail Twinax Pin Contact



Part Number	Contacts
014117-1112	2
014117-1114	4
014117-1116	6
014117-1118	8

\*R/A PC Tail Twinax Contacts included