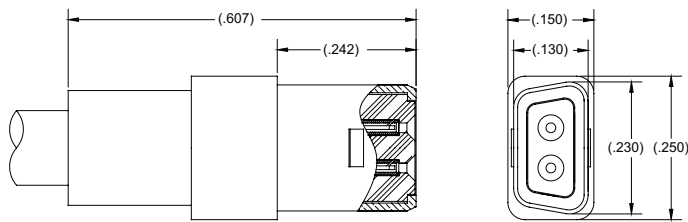
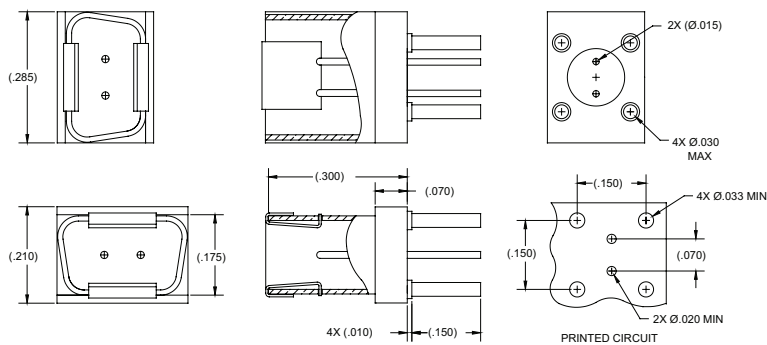


Micro-D Twinax Straight Plug 100 or 150 Ohm



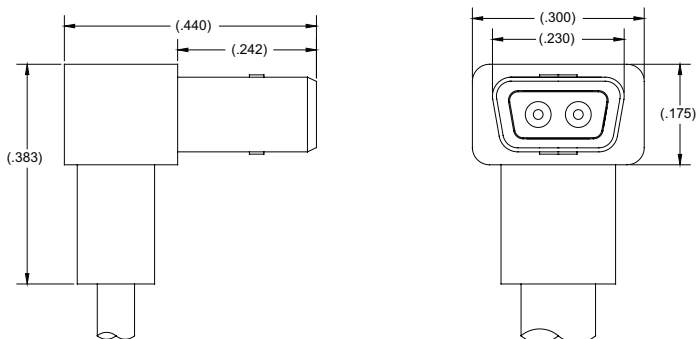
Part Number	Ohms	Cable Type	Cable
014034-2006	100	Differential Twinax	540-1153-000
014034-2005	150	Differential Twinax	540-1099-000

Micro-D Twinax Straight Jack PCB 100 or 150 Ohm



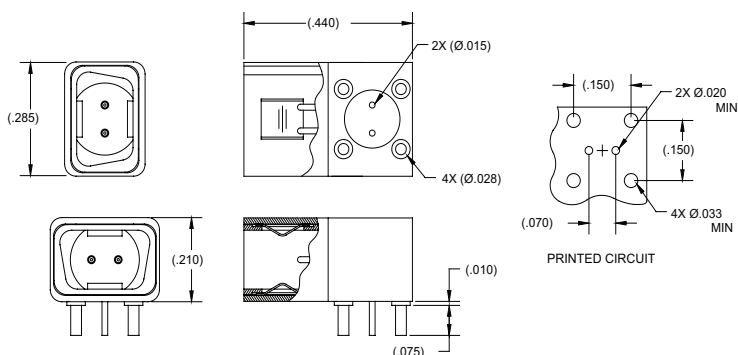
Part Number	Impedance
014117-2005	100 Ohms
014117-2004	150 Ohms

Micro-D Twinax Right Angle Plug 100 or 150 Ohm



Part Number	Ohms	Cable Type	Cable
014034-1002	100	Differential Twinax	540-1153-000
014034-1001	150	Differential Twinax	540-1099-000

Micro-D Twinax Right Angle Jack PCB Mount 100 or 150 Ohm Matched Impedance



Part Number	Impedance
014117-1003	100 Ohms
014117-1002	150 Ohms