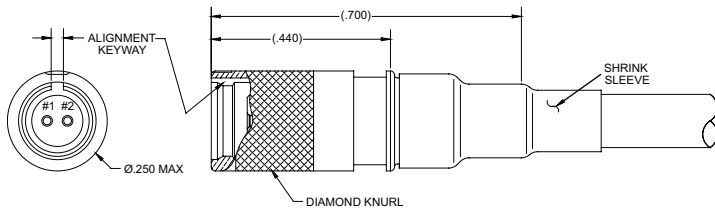
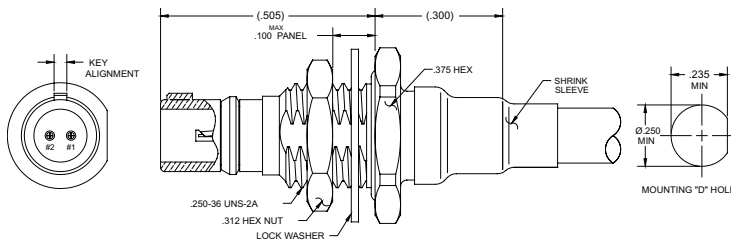


Micro Twinax Quick Disconnect NDL Plug 100 and 150 Ohm



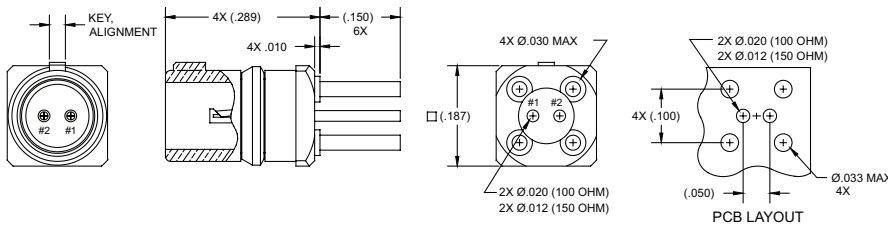
Part Number	Ohms	Cable Type	Cable
014034-2049	100	Differential Twinax	540-1153-000
014034-2050	100	Flexible Twinax	540-1161-000
014034-2051	100	Differential Twinax	540-1167-000
014034-2052	150	Differential Twinax	540-1099-000

Micro Twinax Quick Disconnect NDL Bulkhead Mount Jack 100 and 150 Ohm



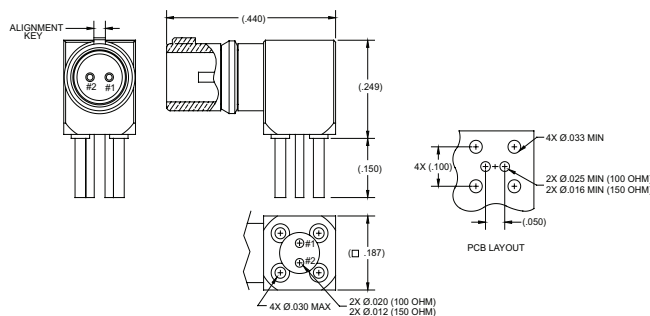
Part Number	Ohms	Cable Type	Cable
014134-5023	100	Differential Twinax	540-1153-000
014134-5024	100	Flexible Twinax	540-1161-000
014134-5025	100	Differential Twinax	540-1167-000
014134-5026	150	Differential Twinax	540-1099-000

Micro Twinax Quick Disconnect NDL Jack Straight PCB Mount 100 and 150 Ohm



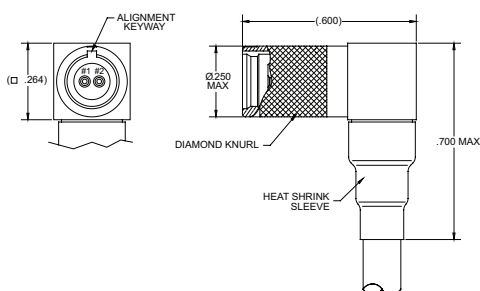
Part Number	Impedance
014117-2023	100 Ohms
014117-2024	150 Ohms

Micro Twinax Quick Disconnect NDL Right Angle PCB Mount 100 and 150 Ohm



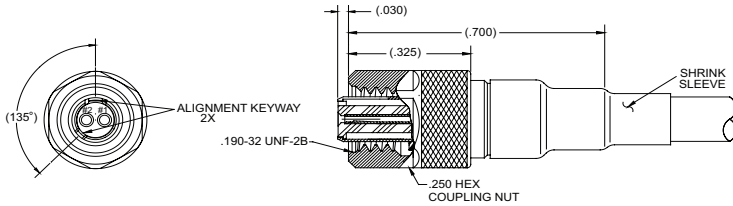
Part Number	Impedance
014117-1037	100 Ohms
014117-1038	150 Ohms

Micro Twinax Quick Disconnect NDL Right Angle Plug 100 and 150 Ohm



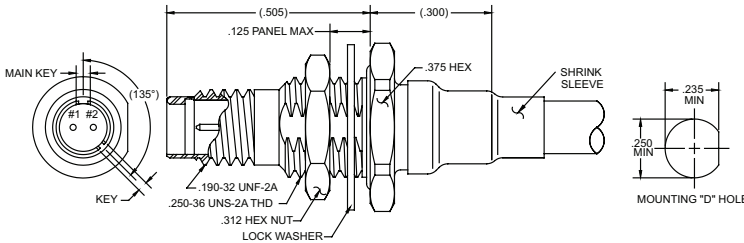
Part Number	Ohms	Cable Type	Cable
014034-1027	100	Differential Twinax	540-1153-000
014034-1028	100	Flexible Twinax	540-1161-000
014034-1029	100	Differential Twinax	540-1167-000
014034-1030	150	Differential Twinax	540-1099-000

Micro Twinax Threaded NDL Straight Cable Plug 100 and 150 Ohm



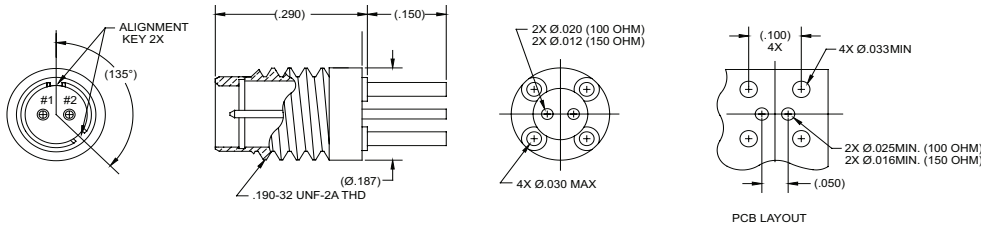
Part Number	Ohms	Cable Type	Cable
014034-2045	100	Differential Twinax	540-1153-000
014034-2046	100	Flexible Twinax	540-1161-000
014034-2047	100	Differential Twinax	540-1167-000
014034-2048	150	Differential Twinax	540-1099-000

Micro Twinax Threaded NDL Bulkhead Mount Jack 100 and 150 Ohm



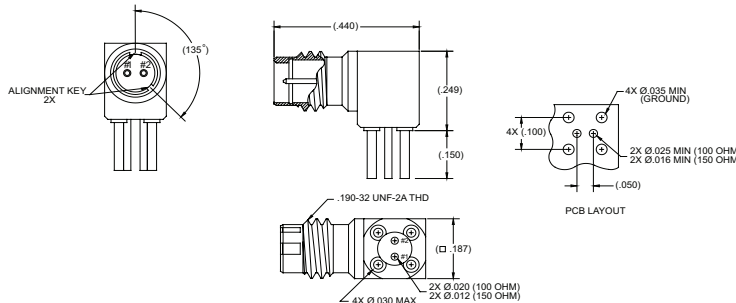
Part Number	Ohms	Cable Type	Cable
014134-5018	100	Differential Twinax	540-1153-000
014134-5019	100	Flexible Twinax	540-1161-000
014134-5020	100	Differential Twinax	540-1167-000
014134-5021	150	Differential Twinax	540-1099-000

Micro Twinax Threaded NDL Straight Jack 100 and 150 Ohm PCB Mount



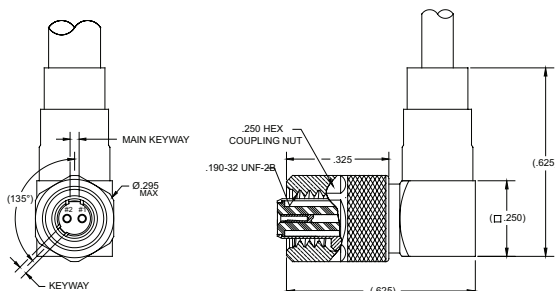
Part Number	Impedance
014117-2020	100 Ohms
014117-2021	150 Ohms

Micro Twinax Threaded NDL Right Angle Jack 100 and 150 Ohm PCB Mount



Part Number	Impedance
014117-1030	100 Ohms
014117-1031	150 Ohms

Micro Twinax Threaded NDL Right Angle Plug 100 and 150 Ohm



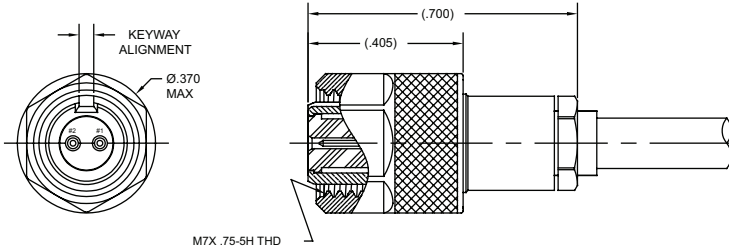
Part Number	Ohms	Cable Type	Cable
014034-1020	100	Differential Twinax	540-1153-000
014034-1021	100	Flexible Twinax	540-1161-000
014034-1022	100	Differential Twinax	540-1167-000
014034-1023	150	Differential Twinax	540-1099-000



Micro Twinax Connectors

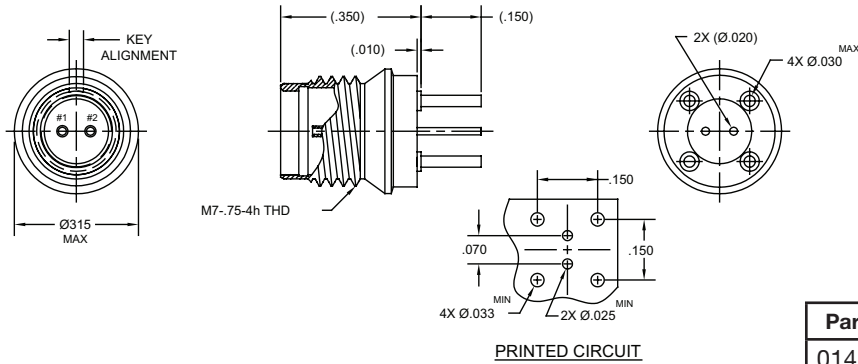
SMA Size Twinax Connectors 100 and 150 Ohm

Micro Twinax SMA Size Plug 100 or 150 Ohm Matched Impedance



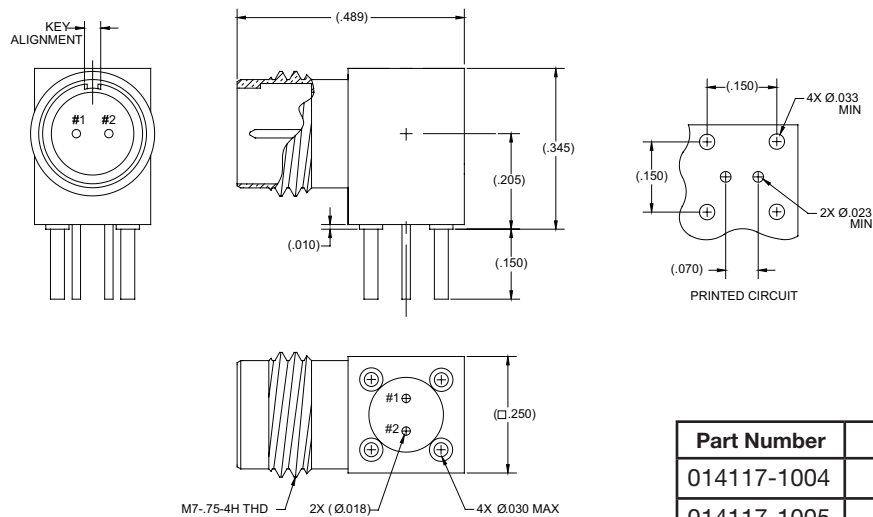
Part Number	Ohms	Cable Type	Cable
014034-2004	100	Differential Twinax	540-1153-000
014034-2010	100	Flexible Twinax	540-1161-000
014034-2015	100	Flexible Twinax	540-1086-000
014034-2003	150	Differential Twinax	540-1099-000
014034-2009	150	Differential Twinax	540-1114-000

Micro Twinax SMA Size Straight Jack 100 or 150 Ohm Matched Impedance



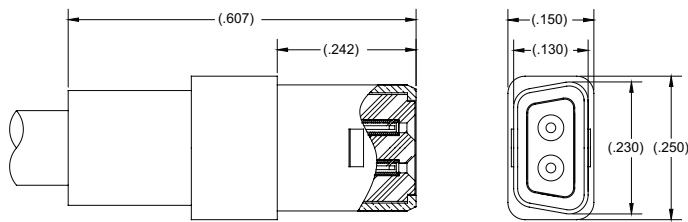
Part Number	Impedance
014117-2003	100 Ohms
014117-2002	150 Ohms

Micro Twinax SMA Right Angle Jack Straight PCB Mount 100 or 150 Ohm Matched Impedance



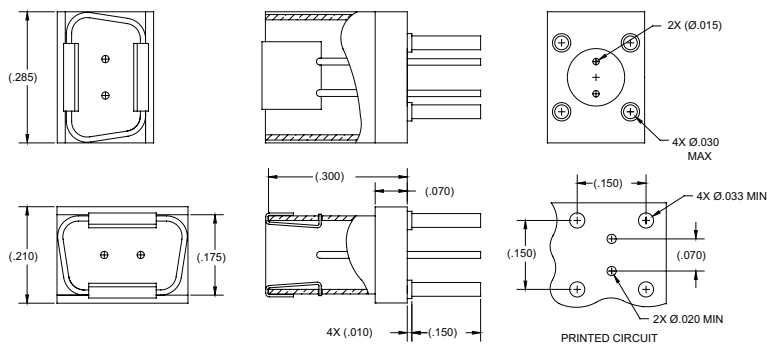
Part Number	Impedance
014117-1004	100 Ohms
014117-1005	150 Ohms

Micro-D Twinax Straight Plug 100 or 150 Ohm



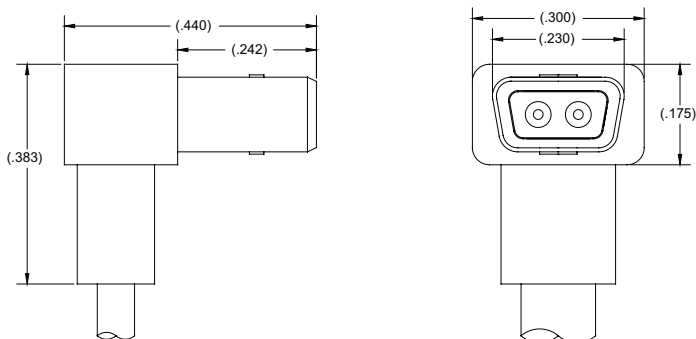
Part Number	Ohms	Cable Type	Cable
014034-2006	100	Differential Twinax	540-1153-000
014034-2005	150	Differential Twinax	540-1099-000

Micro-D Twinax Straight Jack PCB 100 or 150 Ohm



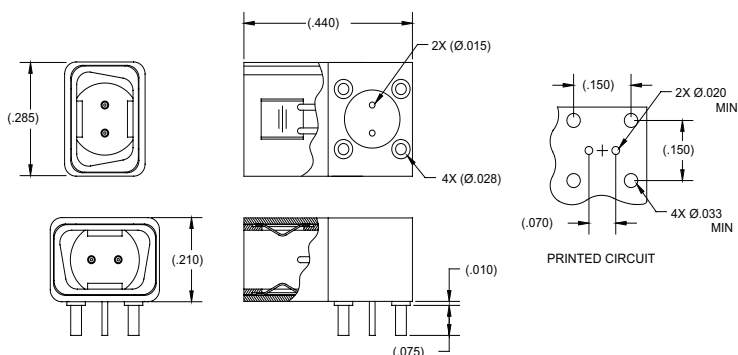
Part Number	Impedance
014117-2005	100 Ohms
014117-2004	150 Ohms

Micro-D Twinax Right Angle Plug 100 or 150 Ohm



Part Number	Ohms	Cable Type	Cable
014034-1002	100	Differential Twinax	540-1153-000
014034-1001	150	Differential Twinax	540-1099-000

Micro-D Twinax Right Angle Jack PCB Mount 100 or 150 Ohm Matched Impedance

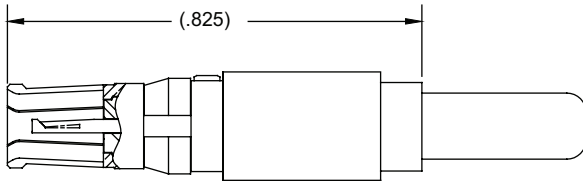


Part Number	Impedance
014117-1003	100 Ohms
014117-1002	150 Ohms

Sabritec's Micro-D Twinax Connectors (MDTX) offer twinax blindmate assemblies fitted into a low-profile metalized Micro-D style shell. This series allows for modularity of PCB routing of high speed signaling capable of 100 Ohm differential pair matched impedance for IEEE 1394b firewire and gigabit Ethernet applications in a size 10 twinax contact. These connectors allow for maximum space utilization, ultra miniature size, high vibration capability and are extremely light weight and modular with true signal integrity. Insert arrangements are available in 2, 4, 6 and 8 way twinax assemblies with mixed signal and power contacts available in hybrid layouts. These connectors are available with locking post mechanisms or blind mate features.

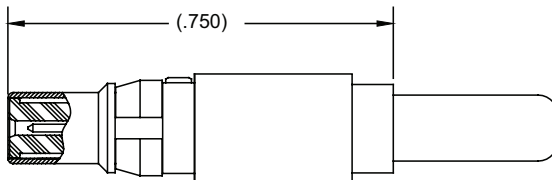
Please consult factory for unique hybrid layouts and custom shell configurations.

Size 10 Twinax Socket Contact 100 Ohm for MDTX Cable Mount Plug



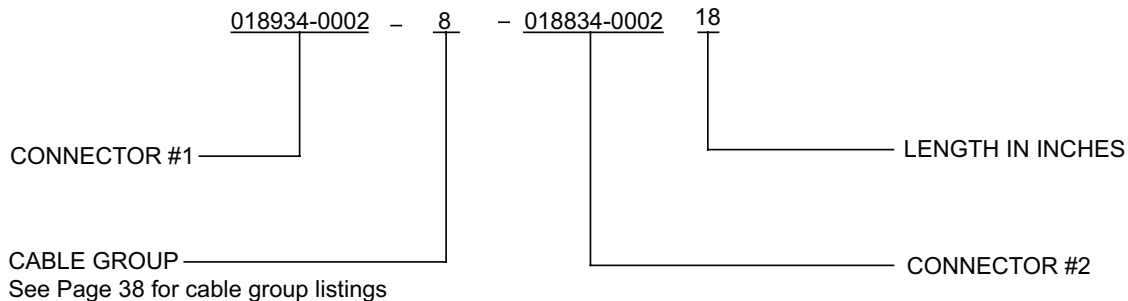
Part Number	Cable Type	Cable
018934-0002	Differential Twinax	540-1153-000
018934-0003	Flexible Twinax	540-1161-000
018934-0004	Differential Twinax	540-1167-000

Size 10 Twinax Pin Contact 100 Ohm for MDTX Cable Mount Receptacle

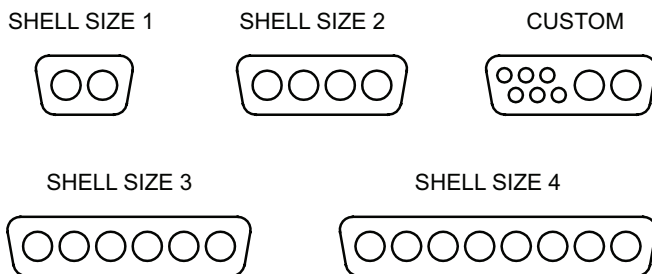


Part Number	Cable Type	Cable
018834-0002	Differential Twinax	540-1153-000
018834-0003	Flexible Twinax	540-1161-000
018834-0004	Differential Twinax	540-1167-000

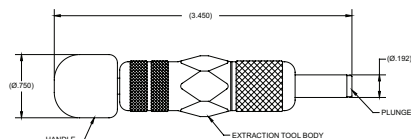
Cable Assembly Ordering Information



Insert Arrangements



* Removable Twinax Contacts
Require Removal Tool SIR-035
(ordered separately)



Removal Tool SIR-035

Shell Dimensions

Shell Size	Contacts	A	B	C	D	E
1	2	.845	1.070	.600	#2-56	.572
2	4	1.285	1.510	1.040	#2-56	1.012
3	6	1.765	2.040	1.480	#4-40	1.452
4	8	2.205	2.480	1.920	#4-40	1.892

