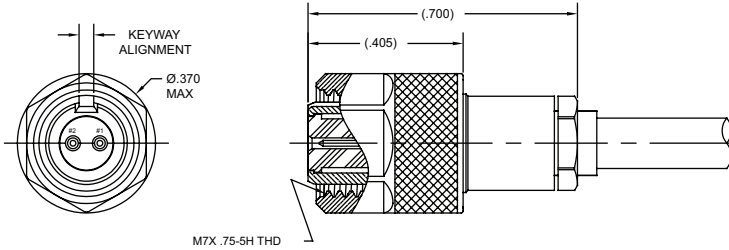




Micro Twinax Connectors

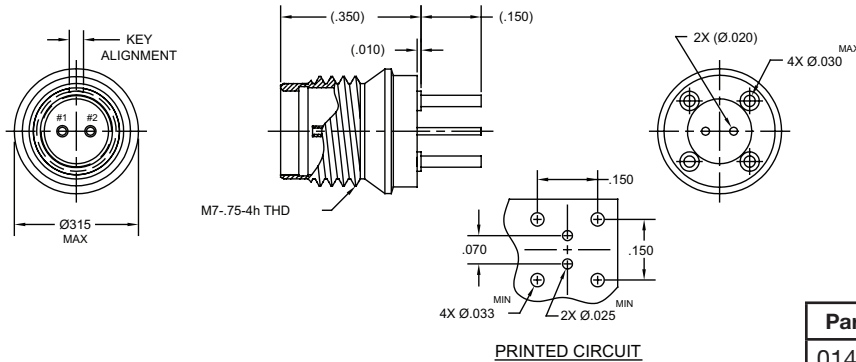
SMA Size Twinax Connectors 100 and 150 Ohm

Micro Twinax SMA Size Plug 100 or 150 Ohm Matched Impedance



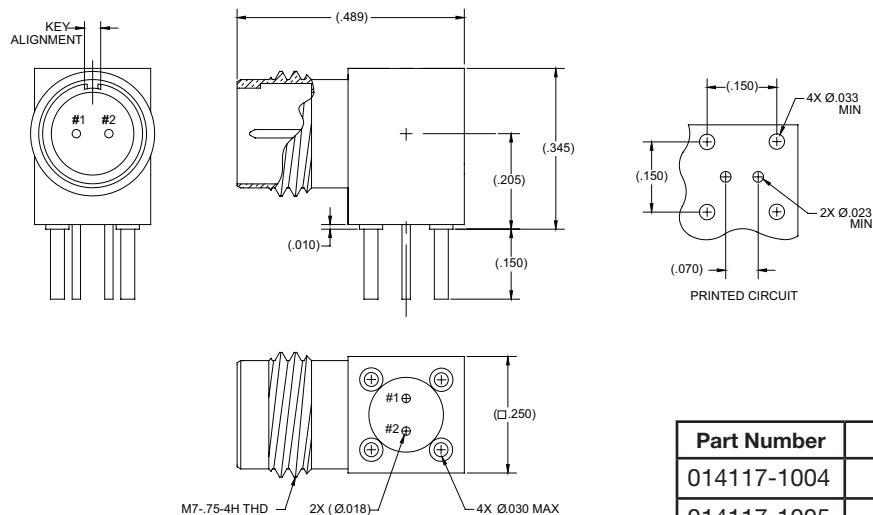
Part Number	Ohms	Cable Type	Cable
014034-2004	100	Differential Twinax	540-1153-000
014034-2010	100	Flexible Twinax	540-1161-000
014034-2015	100	Flexible Twinax	540-1086-000
014034-2003	150	Differential Twinax	540-1099-000
014034-2009	150	Differential Twinax	540-1114-000

Micro Twinax SMA Size Straight Jack 100 or 150 Ohm Matched Impedance



Part Number	Impedance
014117-2003	100 Ohms
014117-2002	150 Ohms

Micro Twinax SMA Right Angle Jack Straight PCB Mount 100 or 150 Ohm Matched Impedance



Part Number	Impedance
014117-1004	100 Ohms
014117-1005	150 Ohms