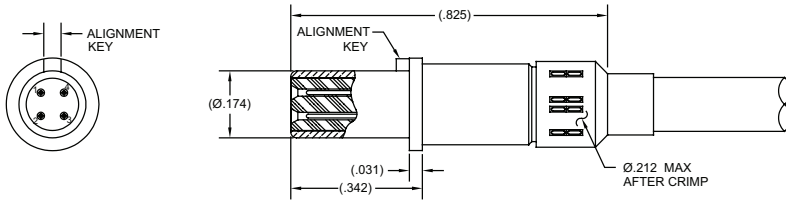
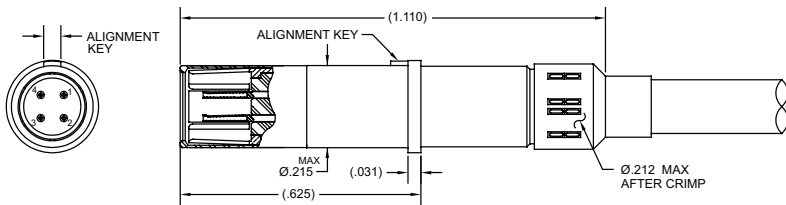


Size 10 Quadrax Pin Contact 100 Ohm



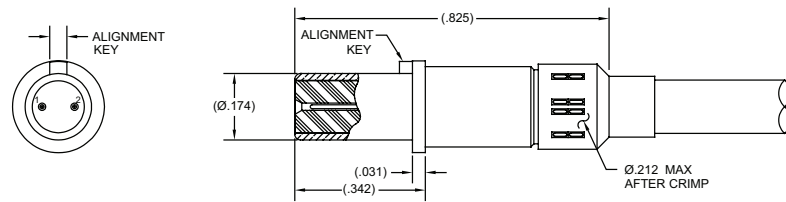
Part Number	Cable Type	Cable
018835-2100	Differential Quadrax	540-1229-000

Size 10 Quadrax Socket Contact 100 Ohm



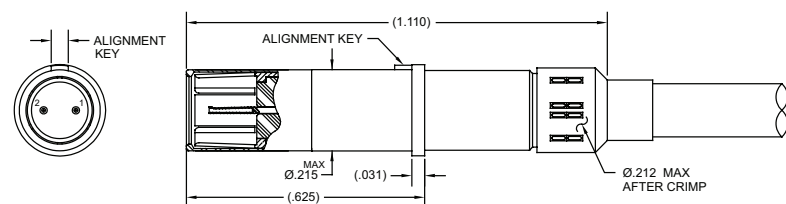
Part Number	Cable Type	Cable
018935-2100	Differential Quadrax	540-1229-000

Size 10 Twinax Pin Contact 100 Ohm



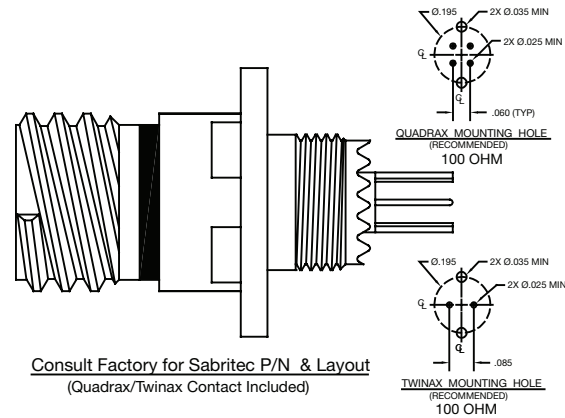
Part Number	Cable Type	Cable
018834-2100	Differential Twinax	540-1210-000

Size 10 Twinax Socket Contact 100 Ohm

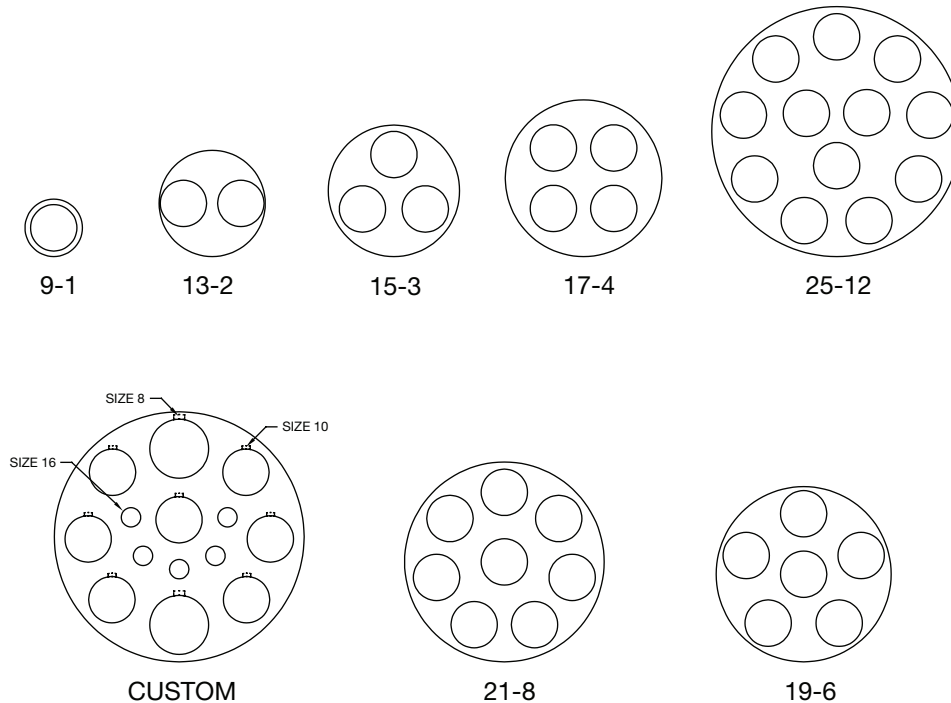


Part Number	Cable Type	Cable
018934-2100	Differential Twinax	540-1210-000

Size 10 PC Tail Receptacle



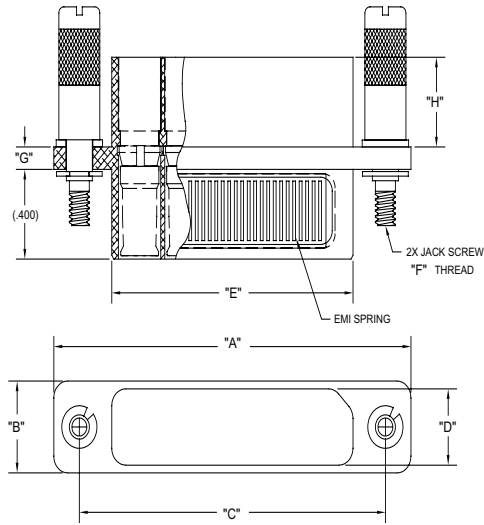
Size 10T/QX Twinax/Quadrax Contact Layouts For Standard MIL-DTL-38999 Shells



Notes:

- Arrangements are unique Sabritec layouts designed for MIL-DTL-38999 connector formats
- Twinax/Quadrax contact cavities are common ground to the connector shell
- Size 10 Twinax/Quadrax (T/QX) cavities are anti-rotational
- To remove Size 10 Twinax/Quadrax contacts use removal tool M81969/14-05

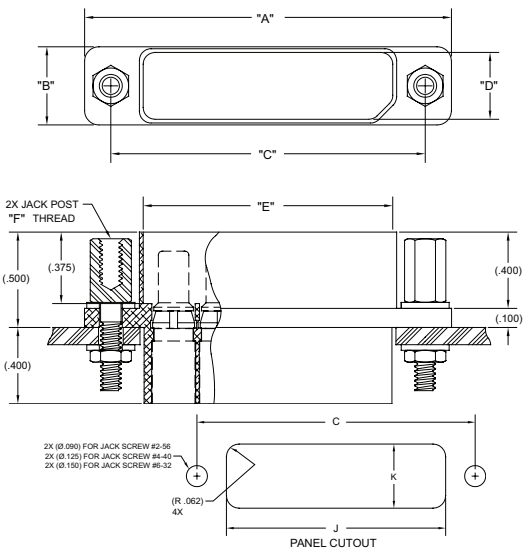
Size 10 Quadrax/Twinax D-Sub Plug



Part Number	Contacts	A	B	C	D	E	F	G	H
012700-0002	2	1.175	.410	.900	.340	.550	#2-56	.100	.400
012700-0003	3	1.425	.410	1.150	.340	.800	#2-56	.100	.400
012700-0004	4	1.675	.410	1.400	.340	1.050	#4-40	.100	.400
012700-0005	5	1.925	.410	1.650	.340	1.300	#4-40	.100	.400
012700-0006	6	2.175	.410	1.850	.340	1.550	#4-40	.100	.400
012700-0007	7	2.425	.410	2.150	.340	1.800	#4-40	.100	.400
012700-0008	8	1.840	.655	1.565	.565	1.215	#4-40	.100	.400
012700-0010	10	2.090	.655	1.815	.565	1.465	#4-40	.100	.400
012700-0012	12	2.340	.655	2.065	.565	1.715	#4-40	.100	.400
012700-0016	16	3.165	.700	2.715	.565	2.215	#6-32	.150	.350
012700-0020	20	3.665	.700	3.312	.565	2.715	#6-32	.150	.350

contacts are sold separately

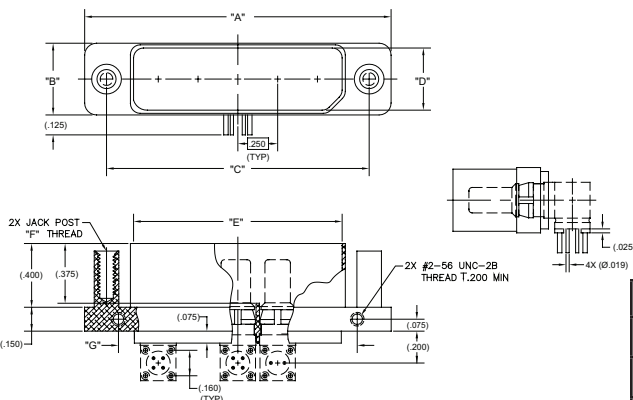
Size 10 Quadrax/Twinax D-Sub Receptacle Cable Mount



Part Number	Contacts	A	B	C	D	E	F	J	K
012800-0002	2	1.175	.410	.900	.350	.560	#2-56	.565	.375
012800-0003	3	1.425	.410	1.150	.350	.810	#2-56	.815	.375
012800-0004	4	1.675	.410	1.400	.350	1.060	#4-40	1.065	.375
012800-0005	5	1.925	.410	1.650	.350	1.310	#4-40	1.315	.375
012800-0006	6	2.175	.410	1.850	.350	1.560	#4-40	1.565	.375
012800-0007	7	2.425	.410	2.150	.350	1.810	#4-40	1.815	.375
012800-0008	8	1.840	.655	1.565	.575	1.225	#4-40	1.230	.600
012800-0010	10	2.090	.655	1.815	.575	1.475	#4-40	1.480	.600
012800-0012	12	2.340	.655	2.065	.575	1.725	#4-40	1.730	.600
012800-0016	16	3.165	.700	2.715	.575	2.225	#6-32	2.230	.600
012800-0020	21	3.665	.700	3.312	.575	2.725	#6-32	2.730	.600

contacts are sold separately

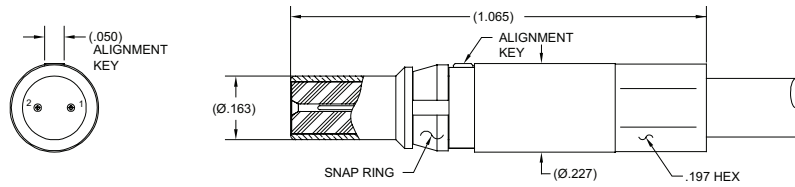
Size 10 Quadrax/Twinax D-Sub PC Tail Mount



Part Number	Contacts	A	B	C	D	E	F	G
012800-1003	3	1.425	.410	1.150	.350	.810	#2-56	1.000
012800-1004	4	1.675	.410	1.400	.350	1.060	#4-40	1.250
012800-1005	5	1.925	.410	1.650	.350	1.310	#4-40	1.500
012800-1006	6	2.175	.410	1.850	.350	1.560	#4-40	1.750

contacts are sold separately

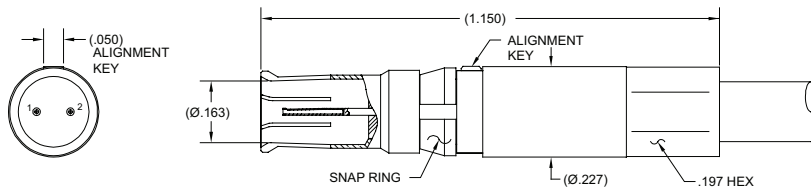
Size 10 Twinax Pin Contact 100 Ohm



Part Number	Cable Type	Cable
018834-8100	Differential Twinax	540-1210-000

For use in P/N: 012800-0002 thru 0020

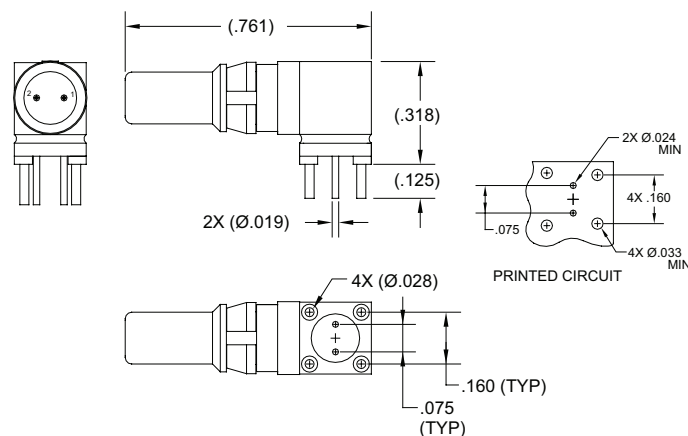
Size 10 Twinax Socket Contact 100 Ohm



Part Number	Cable Type	Cable
018934-8100	Differential Twinax	540-1210-000

For use in P/N: 0127000-0002 thru 0020

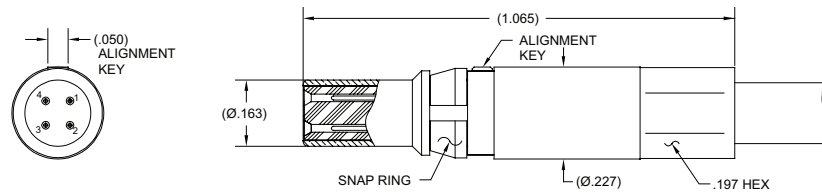
Size 10 Right Angle PC Tail Twinax Contact 100 Ohm



P/N: 018817-1016

For use in P/N: 012800-1003 thru 1006

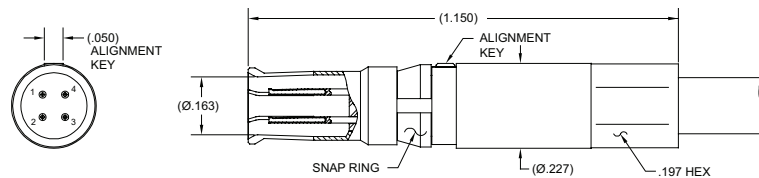
Size 10 Quadrax Pin Contact 100 Ohm



Part Number	Cable Type	Cable
018835-8100	Differential Quadrax	540-1229-000

For use in P/N: 012800-0002 thru 0020

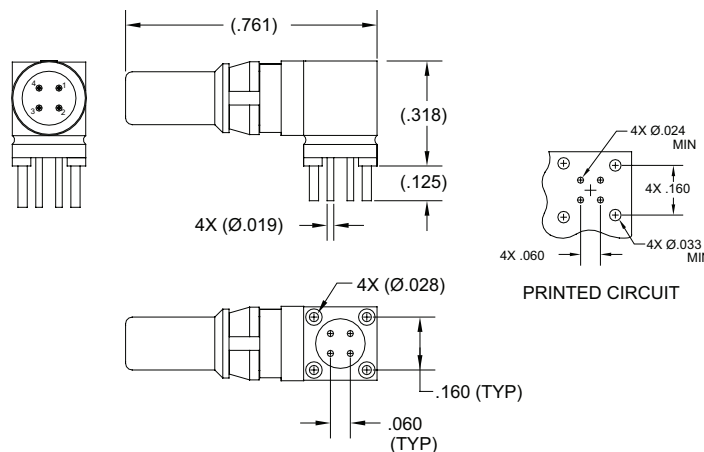
Size 10 Quadrax Socket Contact 100 Ohm



Part Number	Cable Type	Cable
018935-8100	Differential Quadrax	540-1229-000

For use in P/N: 012700-0002 thru 0020

Size 10 Right Angle PC Tail Quadrax Contact 100 Ohm

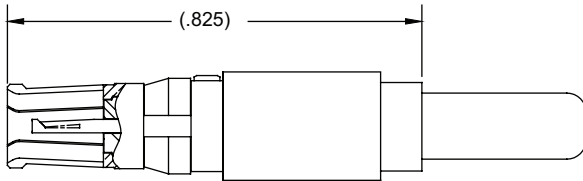


P/N: 018817-1015

Sabritec's Micro-D Twinax Connectors (MDTX) offer twinax blindmate assemblies fitted into a low-profile metalized Micro-D style shell. This series allows for modularity of PCB routing of high speed signaling capable of 100 Ohm differential pair matched impedance for IEEE 1394b firewire and gigabit Ethernet applications in a size 10 twinax contact. These connectors allow for maximum space utilization, ultra miniature size, high vibration capability and are extremely light weight and modular with true signal integrity. Insert arrangements are available in 2, 4, 6 and 8 way twinax assemblies with mixed signal and power contacts available in hybrid layouts. These connectors are available with locking post mechanisms or blind mate features.

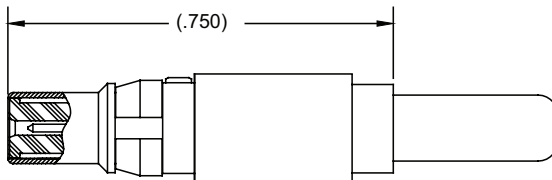
Please consult factory for unique hybrid layouts and custom shell configurations.

Size 10 Twinax Socket Contact 100 Ohm for MDTX Cable Mount Plug



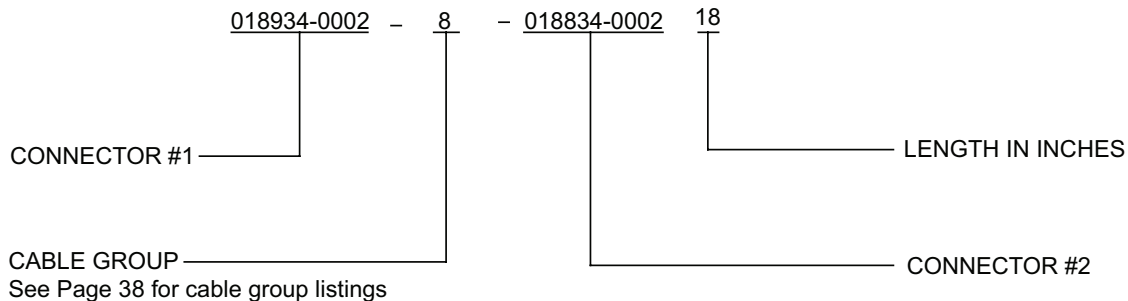
Part Number	Cable Type	Cable
018934-0002	Differential Twinax	540-1153-000
018934-0003	Flexible Twinax	540-1161-000
018934-0004	Differential Twinax	540-1167-000

Size 10 Twinax Pin Contact 100 Ohm for MDTX Cable Mount Receptacle

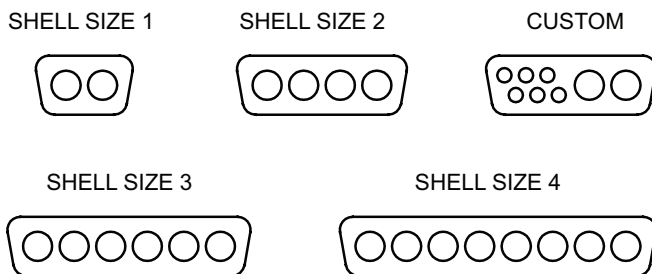


Part Number	Cable Type	Cable
018834-0002	Differential Twinax	540-1153-000
018834-0003	Flexible Twinax	540-1161-000
018834-0004	Differential Twinax	540-1167-000

Cable Assembly Ordering Information



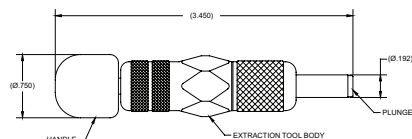
Insert Arrangements



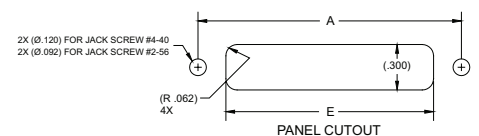
Shell Dimensions

Shell Size	Contacts	A	B	C	D	E
1	2	.845	1.070	.600	#2-56	.572
2	4	1.285	1.510	1.040	#2-56	1.012
3	6	1.765	2.040	1.480	#4-40	1.452
4	8	2.205	2.480	1.920	#4-40	1.892

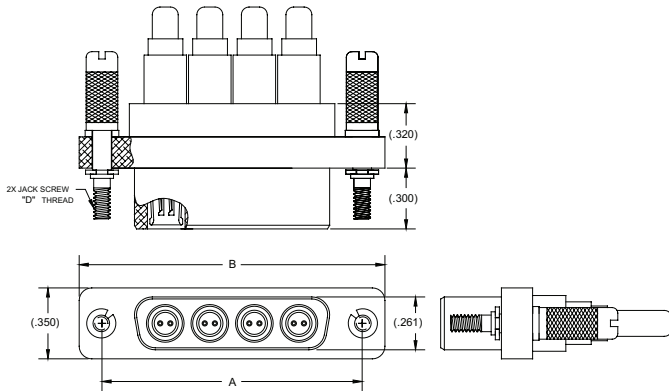
* Removable Twinax Contacts Require Removal Tool SIR-035 (ordered separately)



Removal Tool SIR-035



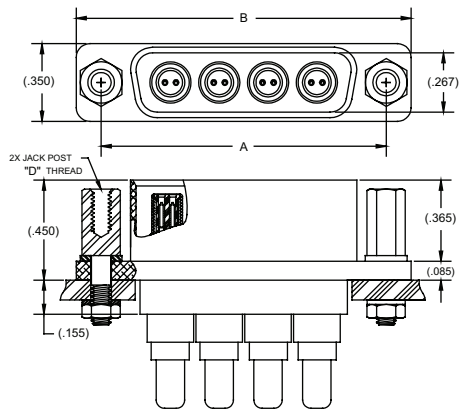
MDTX Cable Mount Plug



Part Number	Contacts
014034-0012	2
014034-0014	4
014034-0016	6
014034-0018	8

*Cable Mount Twinax Contacts Sold Separately

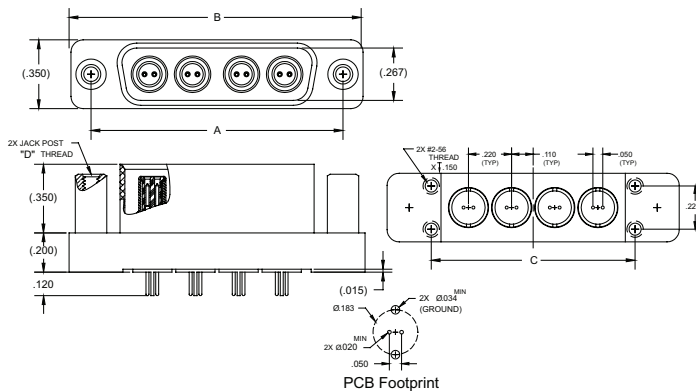
MDTX Cable Mount Receptacle



Part Number	Contacts
014134-0012	2
014134-0014	4
014134-0016	6
014134-0018	8

*Cable Mount Twinax Contacts Sold Separately

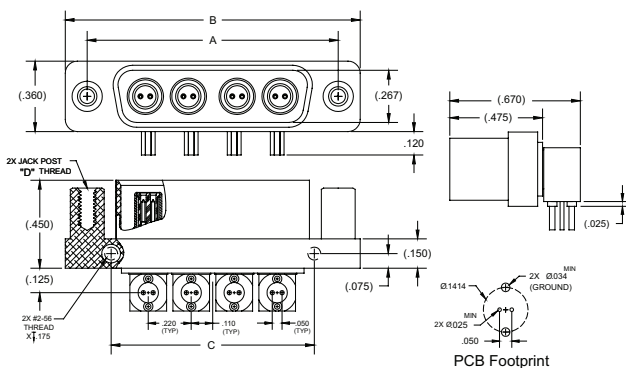
MDTX Receptacle With Straight PC Tail Twinax Pin Contact



Part Number	Contacts
014117-0012	2
014117-0014	4
014117-0016	6
014117-0018	8

*PC Tail Twinax Contacts included

MDTX Receptacle With R/A PC Tail Twinax Pin Contact



Part Number	Contacts
014117-1112	2
014117-1114	4
014117-1116	6
014117-1118	8

*R/A PC Tail Twinax Contacts included