



MIL-DTL-83723 Series III / MIL-DTL-26500



Type T



Type B

MIL-DTL-83723 Series III / MIL-DTL-26500 filter connectors are designed to meet or exceed all applicable requirements of the military specifications. The filter connectors are intermateable and interchangeable with the standard non-filtered connectors.

Part Number Description Code

P200 - 83723 - J - 20 - 41 - P - S - N - N

Material and Finishes	
Shell	Aluminum alloy/Steel/Composite
Insulator	High grade plastic/epoxy
Contacts	Copper alloy, gold plate
Grommet & Seal	Silicon base elastomer
Jam Nut	Aluminum alloy
Ground Plane	Brass, silver plate
Capacitor	Barium Titanate
Inductor	Ferrite bead

FILTER TYPE:
Pi, L, C

PREFIX:

SHELL STYLE:
J - Jam Nut
F - 4 Hole Flange

SHELL SIZE:
8 thru 24

INSERT ARRANGEMENT:

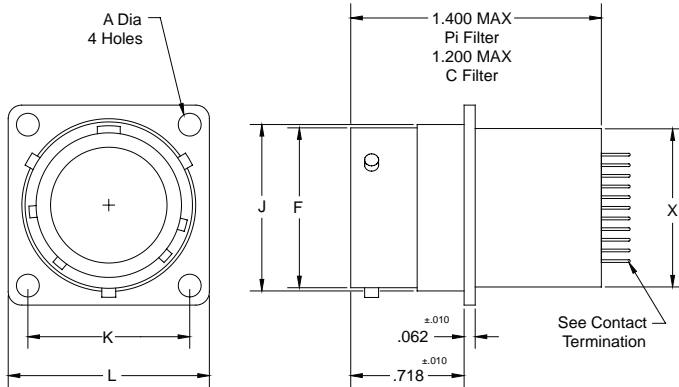
POLARIZATION:
N, 6, 7, 8, 9

PLATING:
C - Olive Drab Cadmium over Nickel
N - Electroless Nickel

CONTACT TERMINATION:
S - Solder Cup
P - PC Tail
C - Crimp

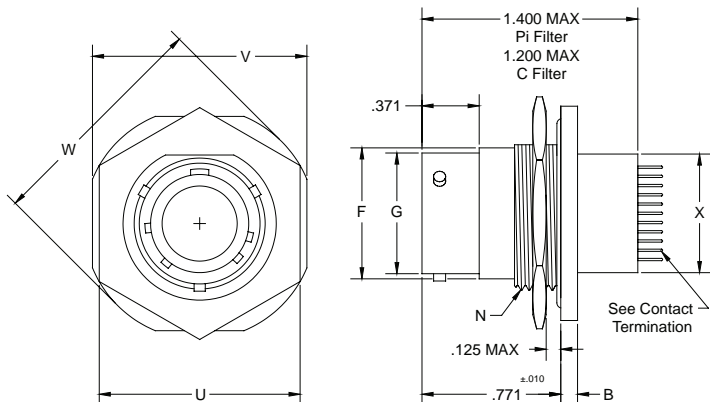
CONTACT TYPE:
P - Pin
S - Socket

Square Flange Receptacle - Type B



Shell Size	DIMENSIONS					
	A Max	K BSC	L	J Dia	F Dia	X Max Dia
8	.120	.594	.812	.561	.536 .531	.500
10	.120	.719	.937	.696	.659 .654	.620
12	.120	.812	1.031	.875	.829 .824	.740
14	.120	.906	1.125	.925	.898 .893	.890
16	.120	.969	1.250	1.062	1.025 1.020	1.000
18	.120	1.062	1.343	1.187	1.131 1.126	1.120
20	.120	1.156	1.437	1.312	1.256 1.251	1.250
22	.120	1.250	1.562	1.437	1.381 1.376	1.390
24	.149	1.375	1.703	1.562	1.506 1.501	1.500

Jam Nut Receptacle - Type B



Shell Size	DIMENSIONS							
	B	F Dia	G Dia	N Thrd	U	V	W	X
8	.137 .097	.561	.536 .531	.625-20	.670	.979	1.068	.500
10	.137 .097	.696	.659 .654	.750-20	.796	1.104	1.192	.620
12	.113 .097	.875	.829 .824	.9375-20	.984	1.291	1.380	.740
14	.137 .097	.935	.898 .893	1.000-20	1.046	1.391	1.505	.890
16	.137 .097	1.062	1.025 1.020	1.125-20	1.171	1.516	1.630	1.00
18	.137 .097	1.187	1.131 1.126	1.250-18	1.296	1.641	1.756	1.120
20	.137 .097	1.312	1.256 1.251	1.375-18	1.484	1.766	1.860	1.250
22	.168 .128	1.437	1.381 1.376	1.500-18	1.609	1.954	2.068	1.390
24	.168 .128	1.562	1.506 1.501	1.625-18	1.734	2.079	2.160	1.500

Sabritec provides specialty, enhanced performance connectors and cable assemblies and as such does not currently offer circular, rack and panel, or D-subminiature connectors that are listed on military standard Qualified Products Lists (QPL) per applicable detail specification sheets. Sabritec's connectors are fully intermateable with applicable QPL products and meet the applicable requirements of all military standards listed in this catalog.



MIL-DTL-83723 Series III / MIL-DTL-26500

INSERT ARRANGEMENTS

