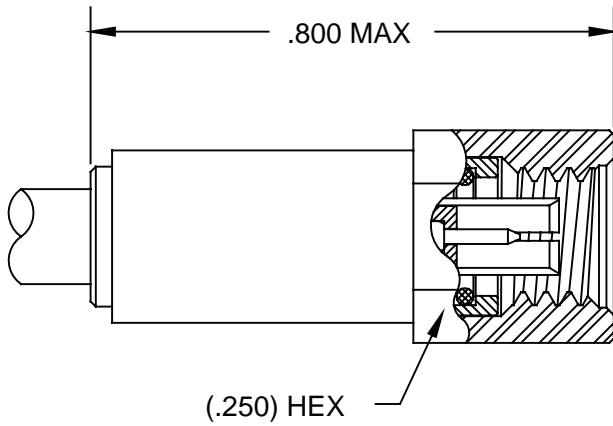
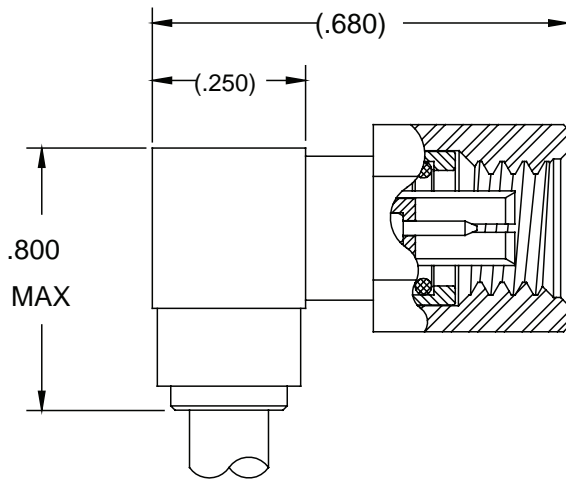


NDL-T Cable Plug



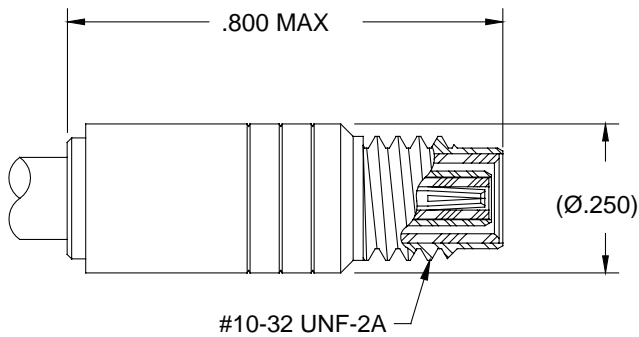
Part Number	Cable Type	Cable
015028-2000	Flexible Twinax	M17/176-00002
015028-2012	Flexible Twinax	540-1086-000
015028-2013	Flexible Triax	RG-403
015028-2014	Flexible Triax	540-1050-000
015028-2031	Flexible Triax	540-1081-000

NDL-T Right Angle Cable Plug



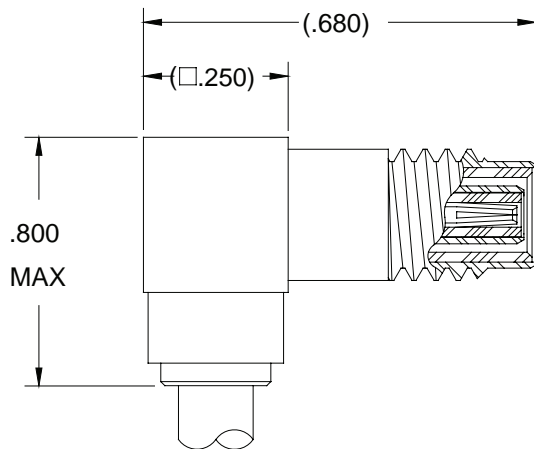
Part Number	Cable Type	Cable
015028-1001	Flexible Twinax	M17/176-00002
015028-1012	Flexible Twinax	540-1086-000
015028-1013	Flexible Triax	RG-403
015028-1014	Flexible Triax	540-1050-000
015028-1031	Flexible Triax	540-1081-000

NDL-T Cable Jack



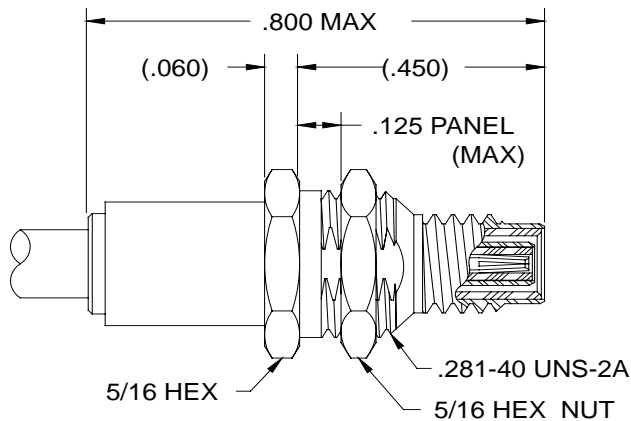
Part Number	Cable Type	Cable
015112-2001	Flexible Twinax	M17/176-00002
015112-2012	Flexible Twinax	540-1086-000
015112-2013	Flexible Triax	RG-403
015112-2014	Flexible Triax	540-1050-000
015112-2031	Flexible Triax	540-1081-000

NDL-T Right Angle Cable Jack



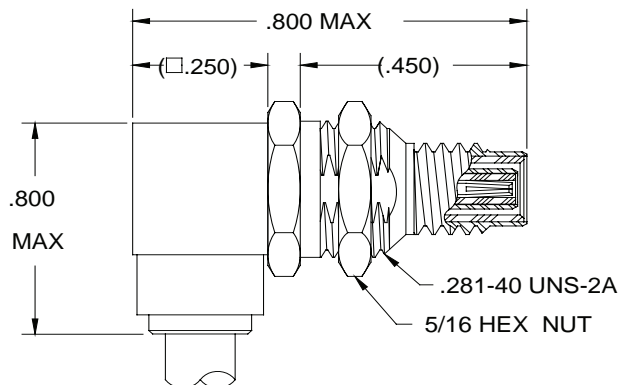
Part Number	Cable Type	Cable
015112-1001	Flexible Twinax	M17/176-00002
015112-1012	Flexible Twinax	540-1086-000
015112-1013	Flexible Triax	RG-403
015112-1014	Flexible Triax	540-1050-000
015112-1031	Flexible Triax	540-1081-000

NDL-T Bulkhead Cable Jack



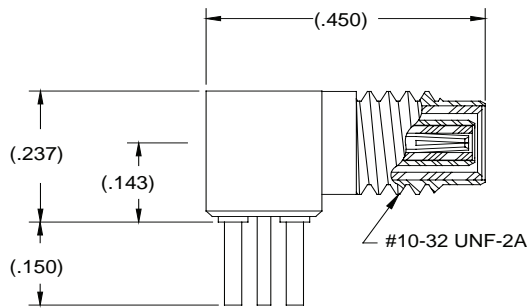
Part Number	Cable Type	Cable
015112-5000	Flexible Twinax	M17/176-00002
015112-5012	Flexible Twinax	540-1086-000
015112-5013	Flexible Triax	RG-403
015112-5014	Flexible Triax	540-1050-000
015112-5031	Flexible Triax	540-1081-000

NDL-T Right Angle Bulkhead Cable Jack



Part Number	Cable Type	Cable
015112-1101	Flexible Twinax	M17/176-00002
015112-1102	Flexible Twinax	540-1086-000
015112-1103	Flexible Triax	RG-403
015112-1104	Flexible Triax	540-1050-000
015112-1131	Flexible Triax	540-1081-000

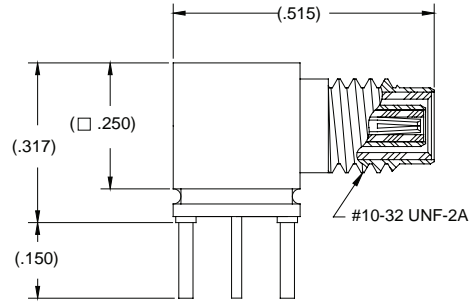
NDL-T Right Angle PCB Jack



P/N 015100-1011

Mounting for .100 Centers

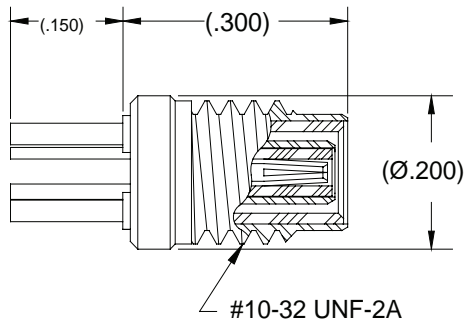
NDL-T Right Angle PCB Jack



P/N 015100-1012

Mounting for .200 Centers

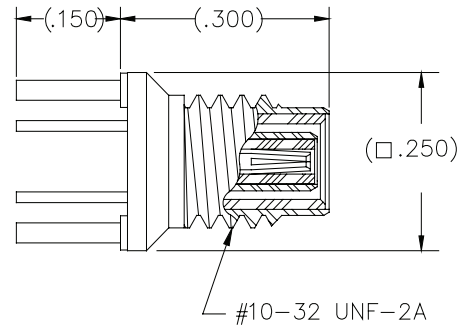
NDL-T Straight PCB Jack



P/N 015100-3010

Mounting for .100 Centers

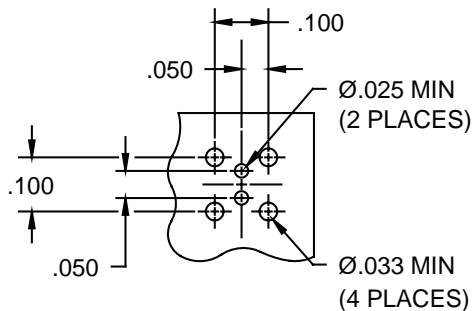
NDL-T Straight PCB Jack



P/N 015100-3012

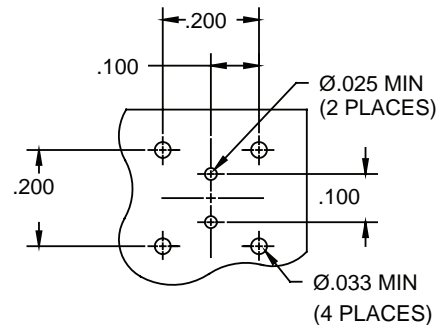
Mounting for .200 Centers

Mounting for PCB Connectors



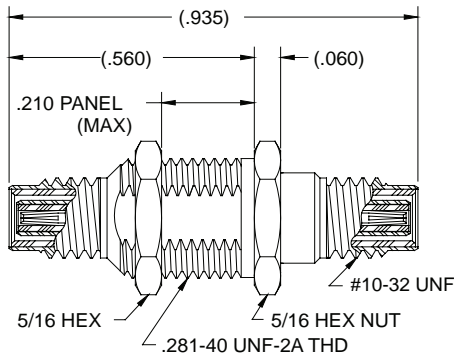
PCB Pattern for .100 Centers

Mounting for PCB Connectors



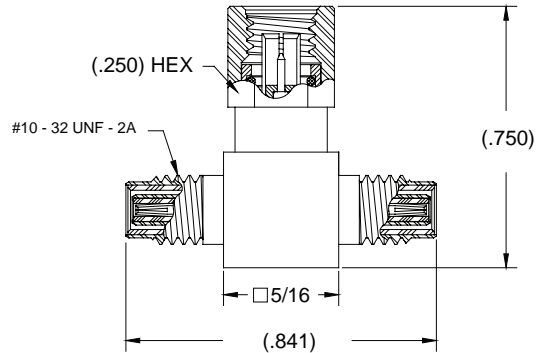
PCB Pattern for .200 Centers

NDL-T Feed-Thru Jack Adapter



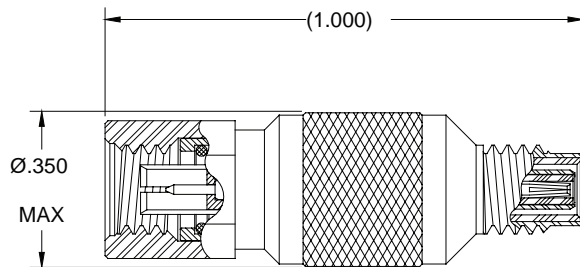
P/N 015100-5024

NDL-T "Tee" Adapter



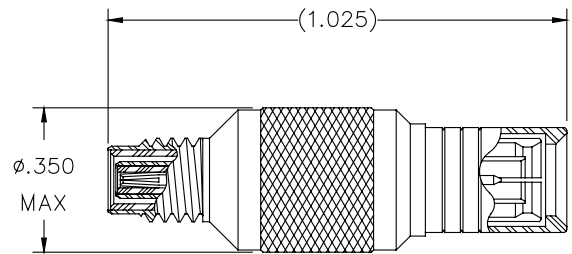
P/N 015000-4020

NDL-T Plug to NDL-T Jack



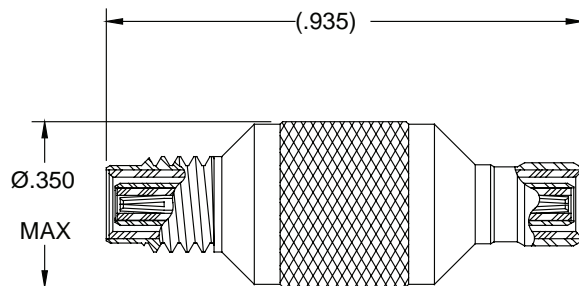
P/N 015000-4023

NDL-T Jack to NDL-Q Plug



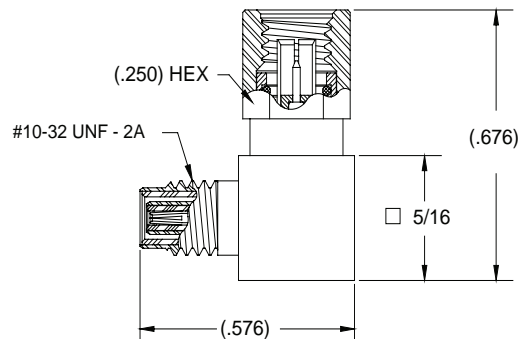
P/N 015100-4015

NDL-T Jack to NDL-Q Jack



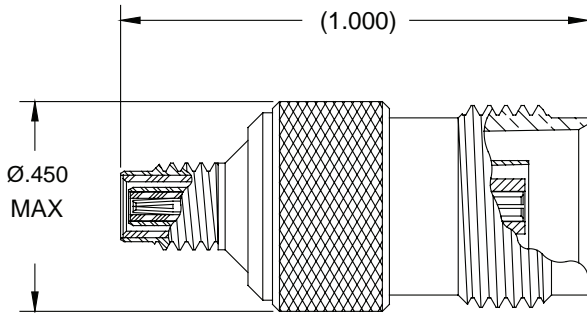
P/N 015100-4016

NDL-T Right Angle Plug to NDL-T Jack



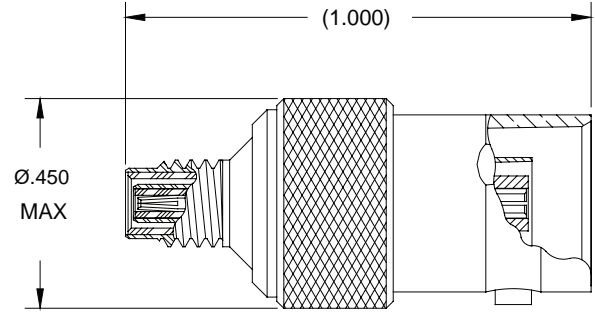
P/N 015000-1001

NDL-T Jack to TRT Jack



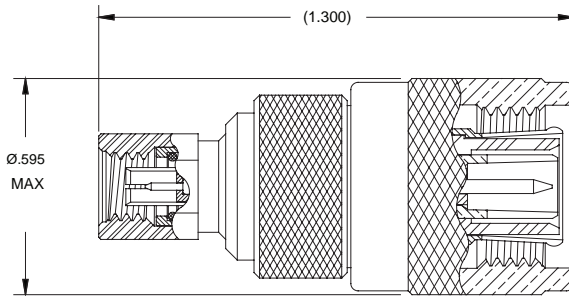
P/N 015100-4011

NDL-T Jack to TRB Jack



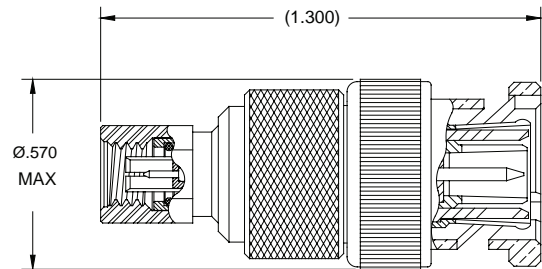
P/N 015100-4012

NDL-T Plug to TRT Plug



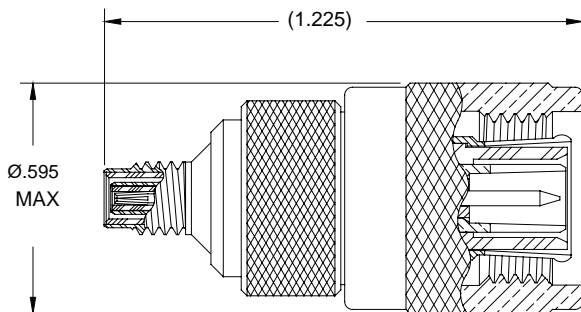
P/N 015000-4004

NDL-T Plug to TRB Plug



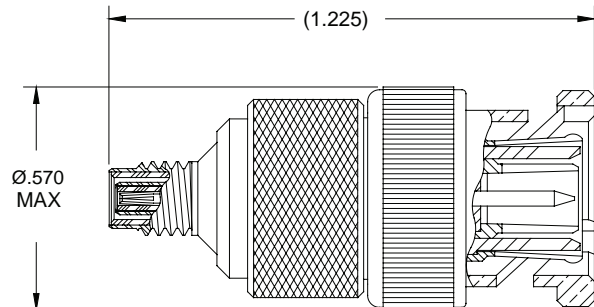
P/N 015000-4005

NDL-T Jack to TRT Plug



P/N 015100-4013

NDL-T Jack to TRB Plug



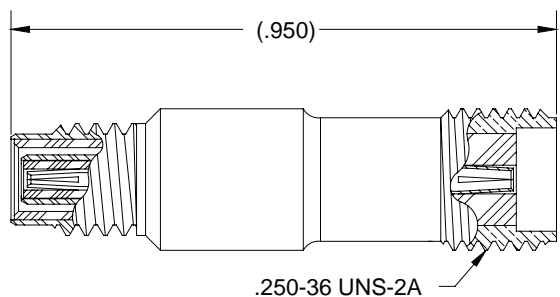
P/N 015100-4014



NDL-T

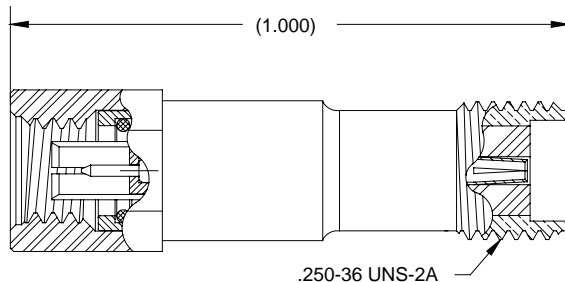
Ultraminiature Triaxial Connectors

NDL-T Jack to SMA Jack



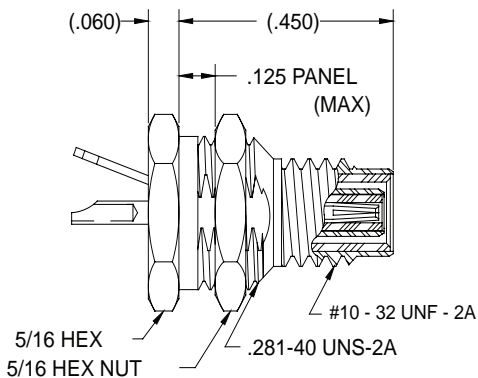
P/N 015100-4017

NDL-T Plug to SMA Jack



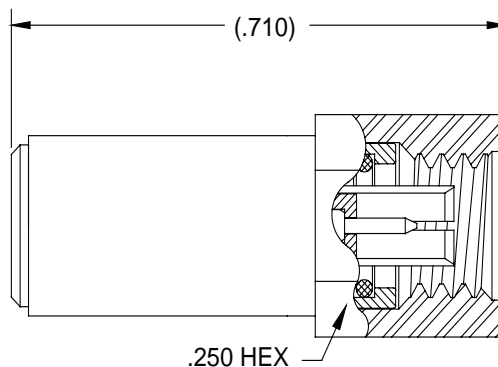
P/N 015000-4010

NDL-T Bulkhead Jack



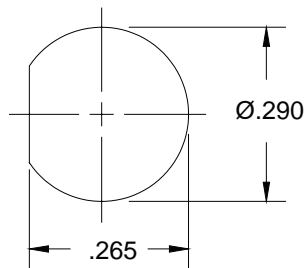
P/N 015100-5025

NDL-T 75 Ohm Terminator



P/N 015000-0000

Mounting D-Hole Configuration



NDL-T CABLE ASSEMBLY ORDERING INFORMATION

