

# FILTER D-SUB CONNECTORS

## HIGH POWER FILTER COMBO D-SUBMINIATURE CONNECTORS

Sabritec has developed a complete line of high powered EMI filtered D-Sub connectors. These include the single row size #8 power contacts (3W3, 3WK3, etc.). With the addition of Sabritec's in-house production of ceramic planar capacitors, we can easily achieve up to 47 nF per line on this series. The planar capacitor provides excellent attenuation as well as meeting the Bellcore requirements for 1000 VDC Dielectric Withstanding Voltage. The materials used in the construction meet the UL flammability requirements of 94V-0. Sabritec's filtered D-Subminiature connectors are intermateable with standard D-Sub connectors. This series is available in PC tail, solder cup and solderless press-fit terminations into standard plated-thru holes.

Other combo D-Sub connector arrangements are also available. Please consult the factory for further information.



Combo D-Sub 3W3/3WK3 Filtered Power Connectors

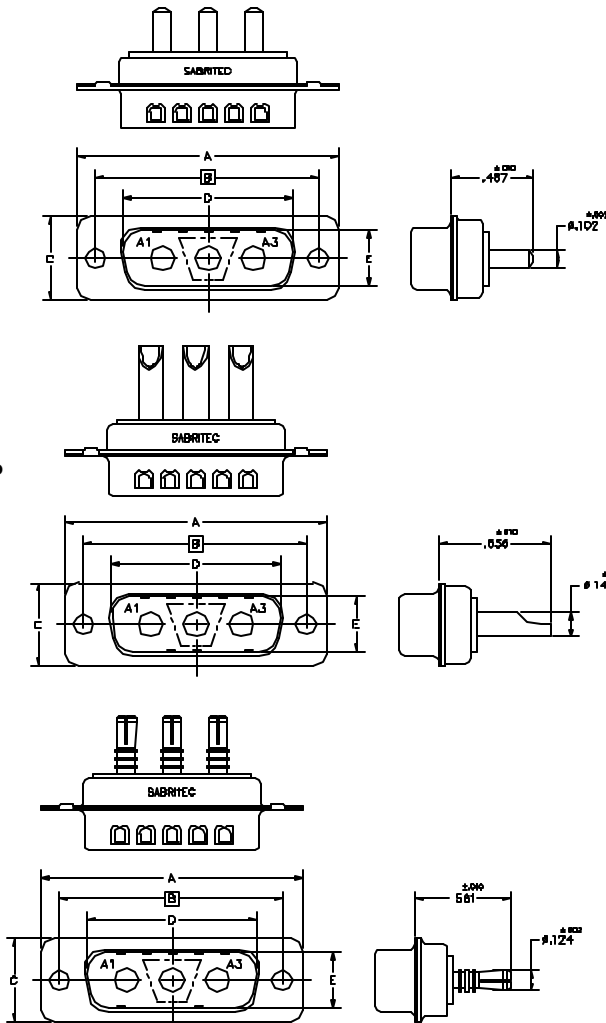
PC TAIL

3WK3

SOLDER CUP

3W3

PRESS-FIT



### D-SUB HIGH POWER PLUGS

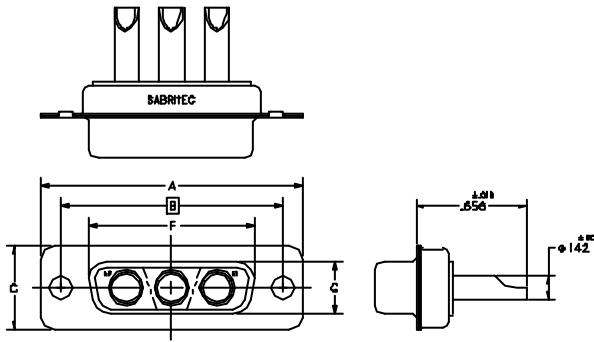
SABRITEC PART NUMBER	EMI FILTER		VOLTAGE RATING
	CAP VALUE	LAYOUT	
310031-1000	1 nF	3W3	400 VDC
310032-1001	1 nF	3WK3	400 VDC
310031-1002	5 nF	3W3	400 VDC
310032-1003	5 nF	3WK3	400 VDC
310031-1004	47 nF	3W3	400 VDC
310032-1005	47 nF	3WK3	400 VDC

SABRITEC PART NUMBER	EMI FILTER		VOLTAGE RATING
	CAP VALUE	LAYOUT	
310031-2000	1 nF	3W3	400 VDC
310032-2001	1 nF	3WK3	400 VDC
310031-2002	5 nF	3W3	400 VDC
310032-2003	5 nF	3WK3	400 VDC
310031-2004	47 nF	3W3	400 VDC
310032-2005	47 nF	3WK3	400 VDC

SABRITEC PART NUMBER	EMI FILTER		VOLTAGE RATING
	CAP VALUE	LAYOUT	
310031-4000	1 nF	3W3	400 VDC
310032-4001	1 nF	3WK3	400 VDC
310031-4002	5 nF	3W3	400 VDC
310032-4003	5 nF	3WK3	400 VDC
310031-4004	47 nF	3W3	400 VDC
310032-4005	47 nF	3WK3	400 VDC

DIMENSIONS	A mm	B mm	C mm	D mm	E mm	F mm	G mm
	1.541	1.312	.494	.895	.329	.870	.310

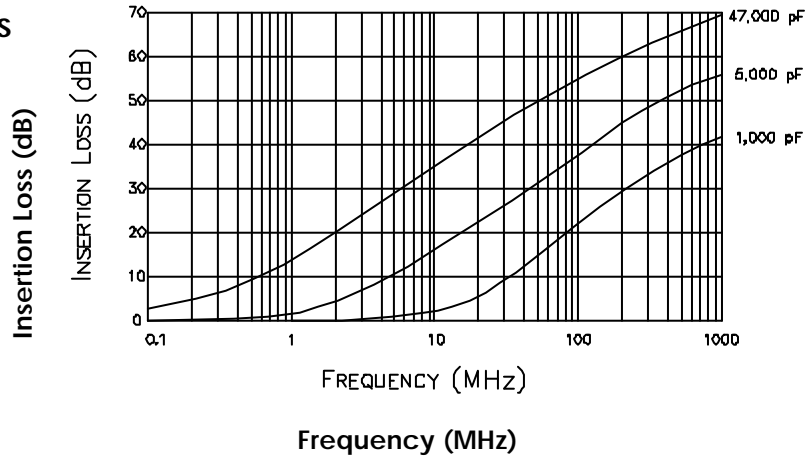
## SOLDER CUP



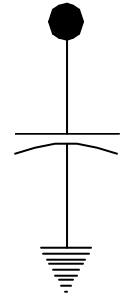
## D-SUB HIGH POWER RECEPTACLES

SABRTEC PART NUMBER	EMI FILTER		VOLTAGE RATING
	CAP VALUE	LAYOUT	
310031-3000	1nF	3W3	400 VDC
310032-3001	1nF	3WK3	400 VDC
310031-3002	5 nF	3W3	400 VDC
310032-3003	5 nF	3WK3	400 VDC
310031-3004	47 nF	3W3	400 VDC
310032-3005	47 nF	3WK3	400 VDC

## INSERTION LOSS CURVES



## "C" FILTER SCHEMATIC



## INSERTION LOSS TABLE

FREQUENCY (MHz)	C1 (1 nF)	C5 (5 nF)	C47 (47 nF)
1	0.1	1.4	15
10	4	16	34
100	22	36	52
1000	42	56	68

## ELECTRICAL CHARACTERISTICS

OPERATING TEMPERATURE RANGE	-55° to +125° C
VOLTAGE	1,000 VDC Dielectric Withstanding Voltage 400 VDC Working Voltage
DC CURRENT RATING	30 Amps max per contact
SURGE VOLTAGE	1,000 Volts, 1.2 X 50 μs Waveform (12Ω) 1,000 Volts, 8 X 20 μs Waveform (2 Ω)
INSULATION RESISTANCE	5,000 M Ω @ 400 VDC
CAPACITANCE	1 nF, 5 nF, 47 nF ( ± 20%)
INTL STANDARD FOR EMC	Meets or exceeds EN 61000-4-5, IEC 1000-4-5

## MATERIALS AND FINISHES

SHELLS	Tin plated steel
INSULATOR	Thermoplastic (UL 94V-0 rated)
CONTACTS	Copper Alloy, Gold plate per ASTM-B488 over nickel plate per QQ-N-290
FILTER ARRAY	Monolithic Capacitor, X7R Material

## TERMINATIONS

PC TAIL, SOLDER CUP, PRESS-FIT