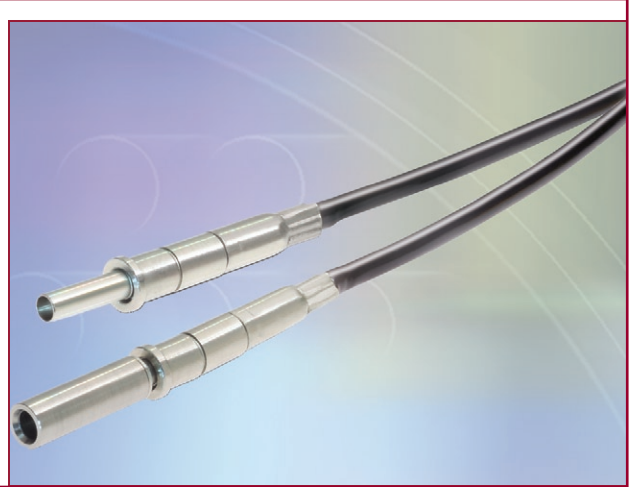


Size 12 Expanded Beam Contact



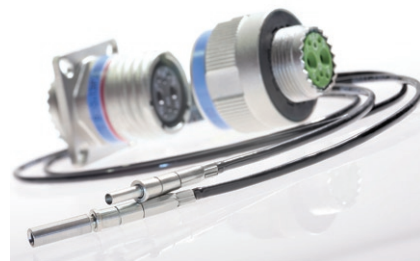
For MIL-DTL-38999 Single and Multimode Applications

Sabritec's new Expanded Beam Fiber Optic Contact technology is specifically designed to fit into standard size 12 cavities of MIL-DTL-38999 Series I, III and V connectors. The size 12 contact provides a robust fiber optic interconnection with low susceptibility to contamination and fits a variety of cable types with diameters from 1.6 to 2.2 mm with additional versions available upon request. The contacts are rear release/rear removable with standard size 12 removal tools.

Features:

- Fits standard size 12 contact cavities for MIL-DTL-38999 (dimensionally identical to size 12 electrical contacts per M39029/56-353 and M39029/58-365)
- Multimode applications 50/125 and 62.5/125
- Insertion loss: 1.0 dB (Typical)
- Increased protection for fiber face
- Reduced influence from dirt debris and vibration
- Simple cleaning
- Insert arrangements for MIL-DTL-38999 include: 13-2, 15-4, 17-6, 21-11 and 25-19 (other custom arrangements available, consult factory)

Specifications	
Operating Temperature	-40°C to + 85°C
Fiber Types	Multimode: 50/125 μm 62.5/125 μm
Insertion Loss	1.0 dB (Typical)
Cable Diameter	1.6mm to Ø2.2mm
Ferrules	Zirconia Ceramic
Contact Body	ARCAP
Alignment Sleeve	Stainless Steel

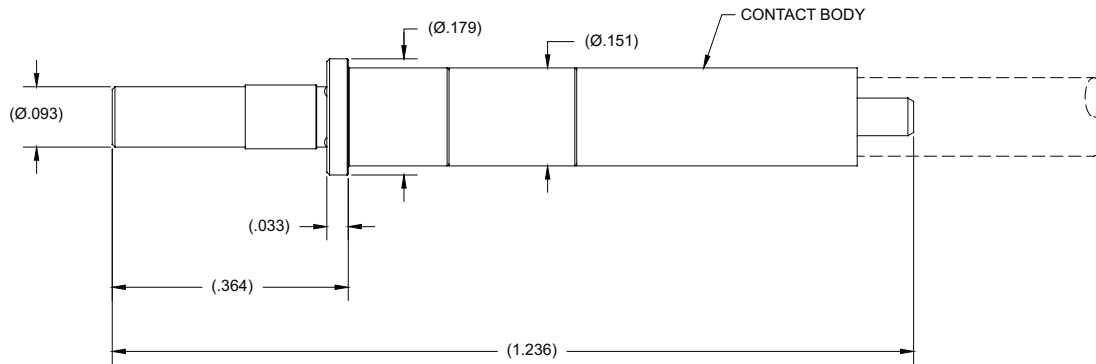


Size 12 Expanded

Pin and Socket Contacts for MIL-DTL-38999

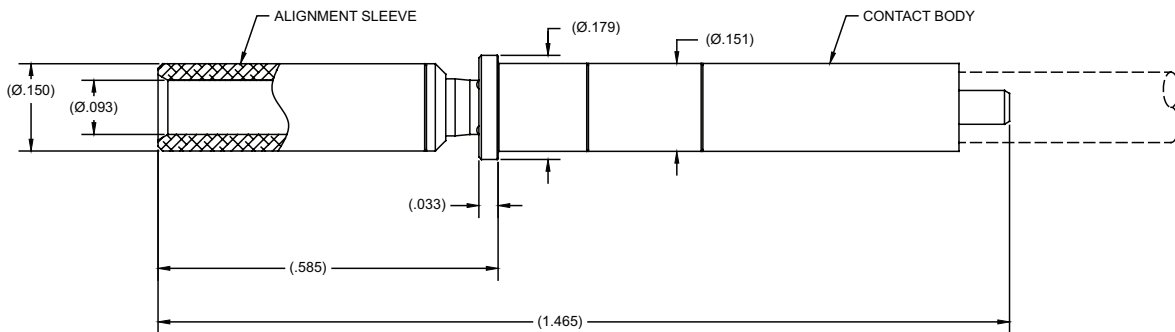


Size 12 Expanded Beam Pin Contact



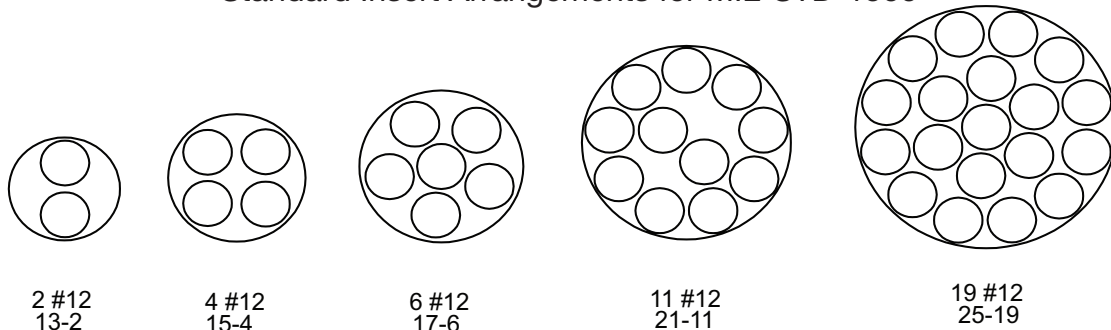
PN: 238633-8000

Size 12 Expanded Beam Socket Contact



PN: 238733-8000

Sample Size 12 Insert Arrangements Standard Insert Arrangements for MIL-STD-1560



Consult factory for custom and rectangular connector insert arrangements

Sabritec - North America Sabritec Europe

Headquarters
17550 Gillette Ave, Irvine
CA 92614, USA
t: +1 (949) 250-1244
f: +1 (949) 250-1009
e: customerservice@sabritec.com

36-38 Waterloo Road,
London NW2 7UH, UK
t: +44 (0) 20 8450 8033
f: +44 (0) 20 8452 5142
e: europeansales@sabritec.com

FOR FURTHER INFORMATION VISIT >> www.sabritec.com