

4

3

2

1

THIS IS ISSUED IN STRICT CONFIDENCE ON CONDITION THAT IT IS NOT USED AS A BASIS FOR MANUFACTURE OR SALE AND THAT IT IS NOT COPIED, REPRINTED OR DISCLOSED TO A THIRD PARTY EITHER WHOLLY OR IN PART WITHOUT THE PRIOR WRITTEN CONSENT OF SABRITEC

REVISIONS				
ZONE	LTR	DESCRIPTION	DATE	APPR

D

CONDUCTOR

MATERIAL: SILVER COATED HIGH STRENGTH COPPER ALLOY
PLATING THICKNESS (MIN): 40 uINCHES
SIZE: AWG 24
CONSTRUCTION: 19 X 36
OD: .0233" ±.0003
D.C. RESISTANCE (MAX): 26.8 OHMS/1,000ft @20°C

CABLE CHARACTERISTICS

CHARACTERISTIC IMPEDANCE: 100 OHMS ±7%
(MEASURED DIFFERENTIALLY)
VELOCITY OF PROPOGATION(MIN): 75%
ATTENUATION(MAX): 1.8 dB/75 ft @ 6MHz
CAPACITANCE(NOM): 13 pF/ft
DIELECTRIC WITHSTAND: 1.5KV rms
WEIGHT(NOM): 12.6 lbs/1,000 ft
(MAX): 15.4 lbs/1,000 ft

D

INSULATION

MATERIAL #1: EXTRUDED LOW DENSITY PTFE
MATERIAL #2: SPIRIAL WRAPPED AND FUSED PTFE TAPE
WALL THICKNESS(NOM): .016"
OD(NOM): .054" ±.003"

C

CABLE

TWO(2) OF THE ABOVE INSULATED CONDUCTORS AND TWO(2) FILLERS ARE CABLED TOGETHER
FILLERS: .037" LOW DENSITY PTFE
LAY(NOM): 1-1/4"
OD(NOM): .095"

SHIELD

MATERIAL: TIN-COATED COPPER BRAID
THICKNESS(NOM): .0015"
COVERAGE(MIN): 92%
OD: .102" ±.010"

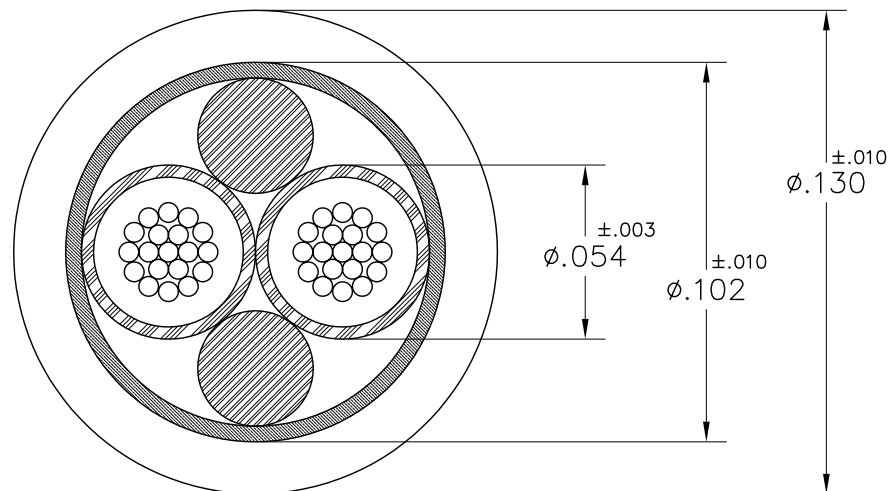
JACKET

MATERIAL: EXTRUDED FEP
WALL THICKNESS(NOM): .011"
OD: .130" ±.010"

COLOR

BLUE, WHITE
JACKET: TRANSPARENT BLUE

C



B

B

B

A

A

UNLESS OTHERWISE SPECIFIED DIMENSIONS ARE IN INCHES .XXX ±.010 .XX ±.03 ANGLES ±5° THIRD ANGLE PROJECTION	REF		TITLE CABLE, TWINAX 100 OHM SHIELDED TWISTED PAIR, 24 AWG	
	APPROVALS		DATE	SIZE
USED ON CUSTOMER USE	ENG	C	58795	DRAWING NO. 540-1161-000
	APPROVED	SCALE	1:1	SHEET 1 OF 1

4

3

2

1